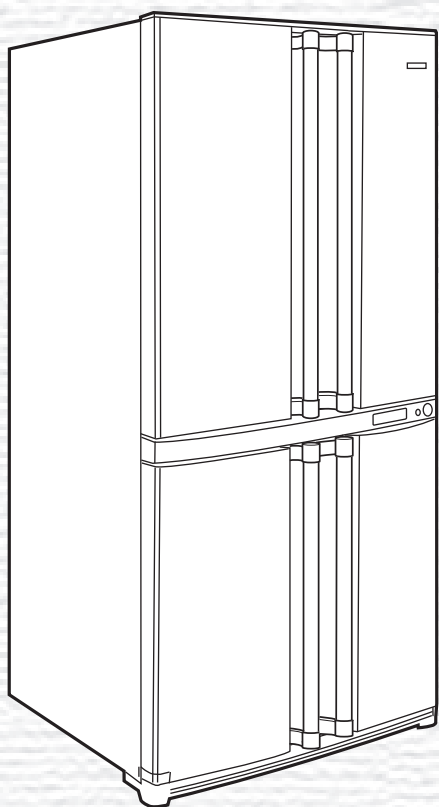


### CONTENTS

• WARNING .....	3
• CAUTION.....	3
• INSTALLATION.....	4
• DESCRIPTION .....	5
• OPERATION.....	6
• STORING FOOD.....	7
• CARE AND CLEANING.....	8
• BEFORE YOU CALL FOR SERVICE.....	9



### ДОМАШНИЙ ХОЛОДИЛЬНИК С МОРОЗИЛЬНОЙ КАМЕРОЙ ИНСТРУКЦИЯ ПО ЭКСПЛУАТАЦИИ СОДЕРЖАНИЕ

• ПРЕДУПРЕЖДЕНИЕ .....	10
• ОСТОРОЖНО.....	10
• УСТАНОВКА.....	11
• ОПИСАНИЕ .....	12
• ЭКСПЛУАТАЦИЯ.....	13
• ХРАНЕНИЕ ПРОДУКТОВ .....	14
• УХОД И ЧИСТКА .....	15
• ПРЕЖДЕ ЧЕМ ОБРАТИТЬСЯ В СЕРВИСНУЮ СЛУЖБУ.....	16

### ЭЛЕКТРЛІ ТОҢАЗЫТҚЫШ ПАЙДАЛАНУ НҰСҚАУЛЫҒЫ МАЗМҰНЫ

• ЕСКЕРТУ.....	17
• САҚТЫҚ .....	17
• ОРНАТУ .....	18
• СИПАТТАМАСЫ .....	19
• ПАЙДАЛАНУ.....	20
• АЗЫҚ-ТҮЛІК САҚТАУ .....	21
• КҮТІМ ЖӘНЕ ТАЗАЛАУ .....	22
• ҚЫЗМЕТ КӨРСЕТУШІНІ ШАҚЫРУДАН БҰРЫН ...	23

**SJ-F77**  
**SJ-F82**



Thank you very much for buying this SHARP product. Before using your SHARP refrigerator, please read this operation manual to ensure that you gain the maximum benefit from it. This refrigerator is for household only, with ambient temperature between +5°C and +43°C. The refrigerator should not be subjected to temperatures of -10°C or below for long periods.

Household use only

## WARNING

- Do not store highly volatile and flammable materials such as ether, petrol, propane gas, aerosol cans, adhesive agents and pure alcohol etc. These materials are liable to explode.
- Dust deposited on the power plug may cause fire. Wipe it off carefully.
- Do not attempt to change or modify this refrigerator. This may result in fire, electric shock or injury.
- Ensure that the refrigerator presents no danger to children while being stored for disposal. (e.g. remove the magnetic door seals to prevent child entrapment.)
- This refrigerator should be disposed appropriately. Take the refrigerator to a recycling plant for flammable insulation blowing gases.

## CAUTION

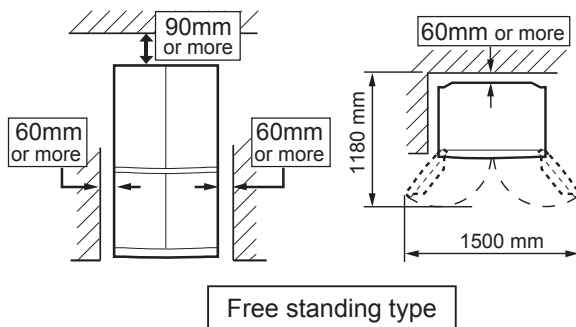
- Do not touch the compressor unit or its peripheral parts, as they become extremely hot during operation and the metal edges may cause injury.
- Do not touch foods or metal containers in the freezer compartment with your wet hands. This may cause frostbite.
- Do not use an extension cord or adapter plug.
- Do not place bottled and canned drinks in the freezer as they may crack when frozen.
- Make sure that the power cord has not been damaged during installation or moving. If the power plug or cord is loose, do not insert the power plug. There is a risk of electric shock or fire.
- Disconnect from the mains electricity supply by removing the mains plug from the electricity supply socket. Do not remove by pulling the mains lead. This may cause electric shock or fire.
- The refrigeration system behind and inside the refrigerator contains refrigerant. Do not allow any sharp objects to come into contact with the refrigeration system.
- Should the flexible supply cord be damaged, it must be replaced by service agent approved by SHARP as a special cord is required.
- In case of gas leak, ventilate the area by opening a window, etc. Do not touch the refrigerator or the power outlet.
- Do not place objects containing liquid or unsteady objects on top of refrigerator.
- This refrigerator is not intended for use by persons (including children) with reduced physical, sensory or mental capabilities, or lack of experience and knowledge, unless they have been given supervision or instruction concerning use of the refrigerator by a person responsible for their safety. Young children should be supervised to ensure that they do not play with the refrigerator.

# INSTALLATION

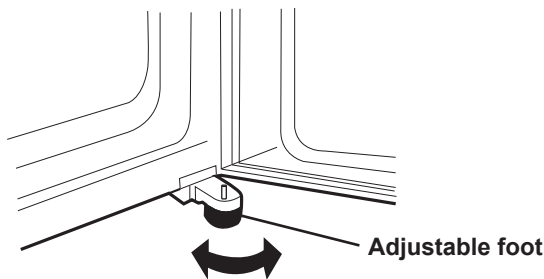
## WARNING

- Do not install the refrigerator in a damp or wet location as this may cause damage to the insulation and a leakage. Condensation may also build on the outer cabinet and cause rust.

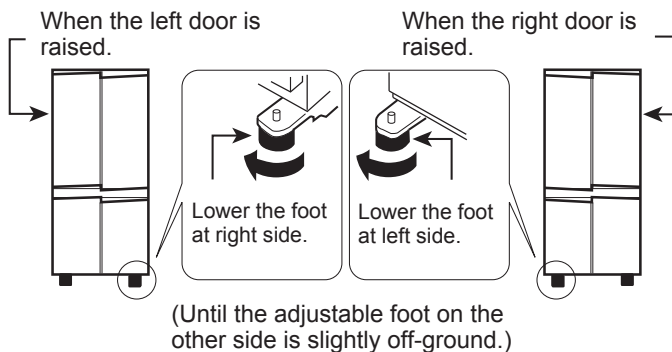
- 1** Keep adequate ventilation space around the refrigerator.
- The figure shows the minimum required space for installing the refrigerator. The measurement condition of power consumption is conducted under a different space dimension.
  - By keeping greater space, the refrigerator may be operated under a less amount of power consumption.
  - If using the refrigerator in the smaller space dimension than the below figure, it may cause the temperature rise in the unit, loud noise and failure.



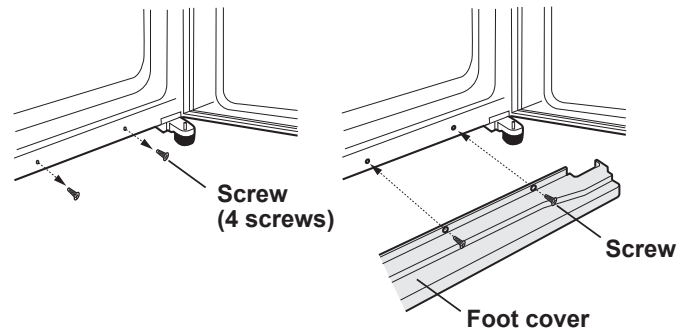
- 2** Use the two front adjustable feet, to ensure that the refrigerator is positioned firmly and flat on the floor.



- 3** When right and left doors are not properly aligned, adjust using the adjustable feet.



- 4** Remove the 4 screws of the cabinet lower part, and then set the foot cover (supplied inside the refrigerator compartment) with removed 4 screws.



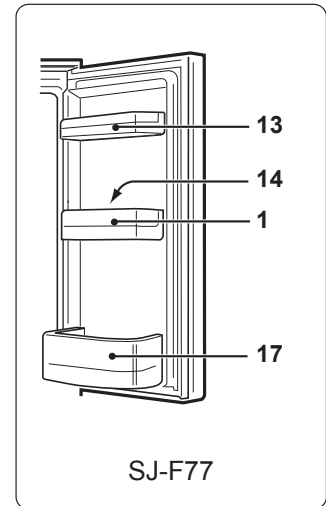
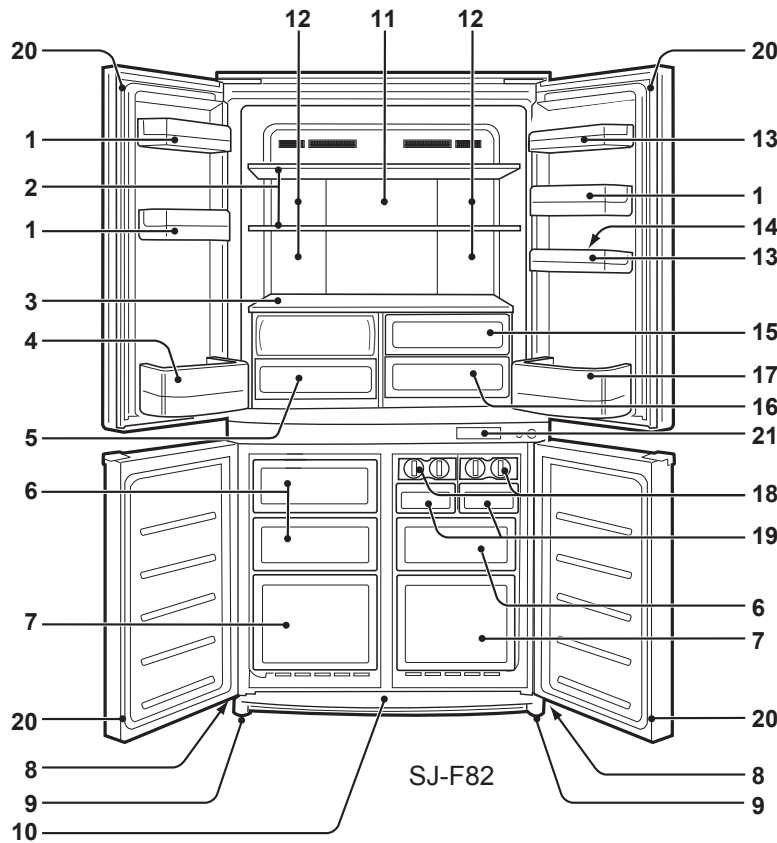
## NOTE

- Position your refrigerator so that the plug is accessible.
- Keep your refrigerator out of direct sunlight.
- Do not place next to heat generating appliance.
- Do not place directly on the ground. Provide suitable stand.
- To insert the power plug when the door is opened, door alarm sounds but it is not abnormal. This sound stops when closing the door.

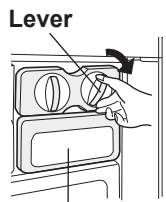
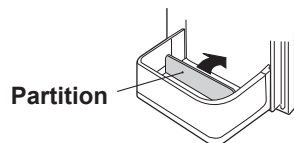
## Before using your refrigerator

Clean the inside parts with a cloth soaked in warm water. If soapy water is used, wipe it off thoroughly with water.

# DESCRIPTION



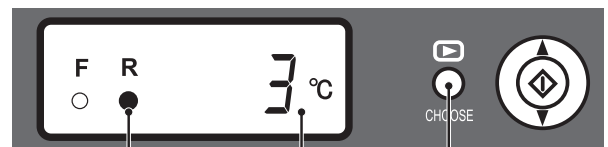
1. Door pockets (3 pcs.)
2. Refrigerator shelf
3. Shelf
4. Bottle pocket (left)
5. Vegetable crisper
6. Freezer cases (small) (3 pcs.)
7. Freezer cases (large) (2 pcs.)
8. Casters (4 pcs.)
9. Adjustable feet (2 pcs.)
10. Foot cover
11. Aluminum panel  
The panel is cooled from the rear, thus indirectly cools the refrigerator compartment. In this way, food is refrigerated gently, without exposing it to the cold air flow.
12. Light
13. Utility pockets  
(SJ-F77 ; 1 pocket, SJ-F82 ; 2 pockets)
14. Egg holder
15. Fruit case
16. Fresh case
17. Bottle pocket (right)  
To store large-size bottles, move the partition all the way back.
18. Ice cube maker (2 pcs.)  
• Do not over fill the tray; otherwise the ice cubes will be joined together when frozen.  
• When the ice cubes are made, turn the lever clockwise to empty the ice into the Ice storage box.



Ice storage box

19. Ice storage box (2 pcs.)  
To prevent damage to the Ice storage box, do not make ice in the Ice storage box or pour oil into it.
20. Magnetic door seals (4 pcs.)
21. Control panel  
• The preset temperature is displayed.  
(It is not an actual temperature in the compartment.)  
• The display of the refrigerator compartment and the freezer compartment can be changed by pressing the CHOOSE button.

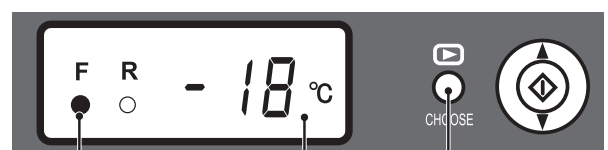
### Refrigerator compartment preset temperature



R lamp (lighting) LED display CHOOSE button  
It suggests "Refrigerator".



### Freezer compartment preset temperature



F lamp (lighting) LED display CHOOSE button  
It suggests "Freezer".

### NOTE

The LED lamp and the temperature display will turn off when there is no operation for 1 minute.  
(When either of buttons is pressed, it lights again.)

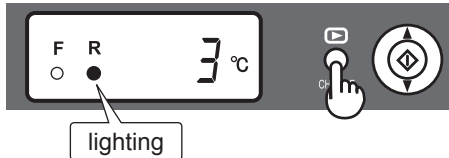
# OPERATION

## Controlling temperature

The refrigerator controls its temperature automatically. However, if needed, adjust the temperature as follows.

### Refrigerator compartment

- Press the CHOOSE button and make the R lamp to light.



- Press ▲ button or ▼ button and select the desired temperature. [ ▲ : increase, ▼ : decrease ]



- Press the “◊” button.



Adjustable between 0°C and 6°C in steps of 1°C.

↑ 6°C	When the refrigerator provides excessive cooling.
3°C	For normal operation.
↓ 0°C	For keeping foods fresher tasting. When the refrigerator does not provide sufficient cooling.

### Deodorizing unit

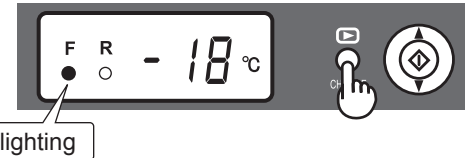
A built-in unit which requires no manual operation because it automatically starts operating when the refrigerator is powered on.

### Defrosting

- The defrosting system incorporates a fully automatic energy efficient defrosting system.
- The defrost water collects in the evaporating pan, where it is evaporated by the heat of the compressor, etc.
- The evaporating pan does not require cleaning or maintenance.

### Freezer compartment

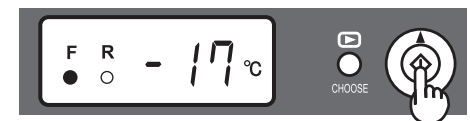
- Press the CHOOSE button and make the F lamp to light.



- Press ▲ button or ▼ button and select the desired temperature. [ ▲ : increase, ▼ : decrease ]



- Press the “◊” button.



Adjustable between -13°C and -21°C in steps of 1°C.

↑ -13°C	When frozen food or ice cream is not stored.
-18°C	For normal freezing.
↓ -21°C	For making ice rapidly or fast freezing.

### Door Alarm

When the refrigerator or freezer door is left open, the door alarm will sound.

- The door alarm will sound 1 minute after opening the door and again after 1 minute (once in each case).
- If the door is left open for approx. 3 minutes, the alarm will sound continuously.

### To cancel operation

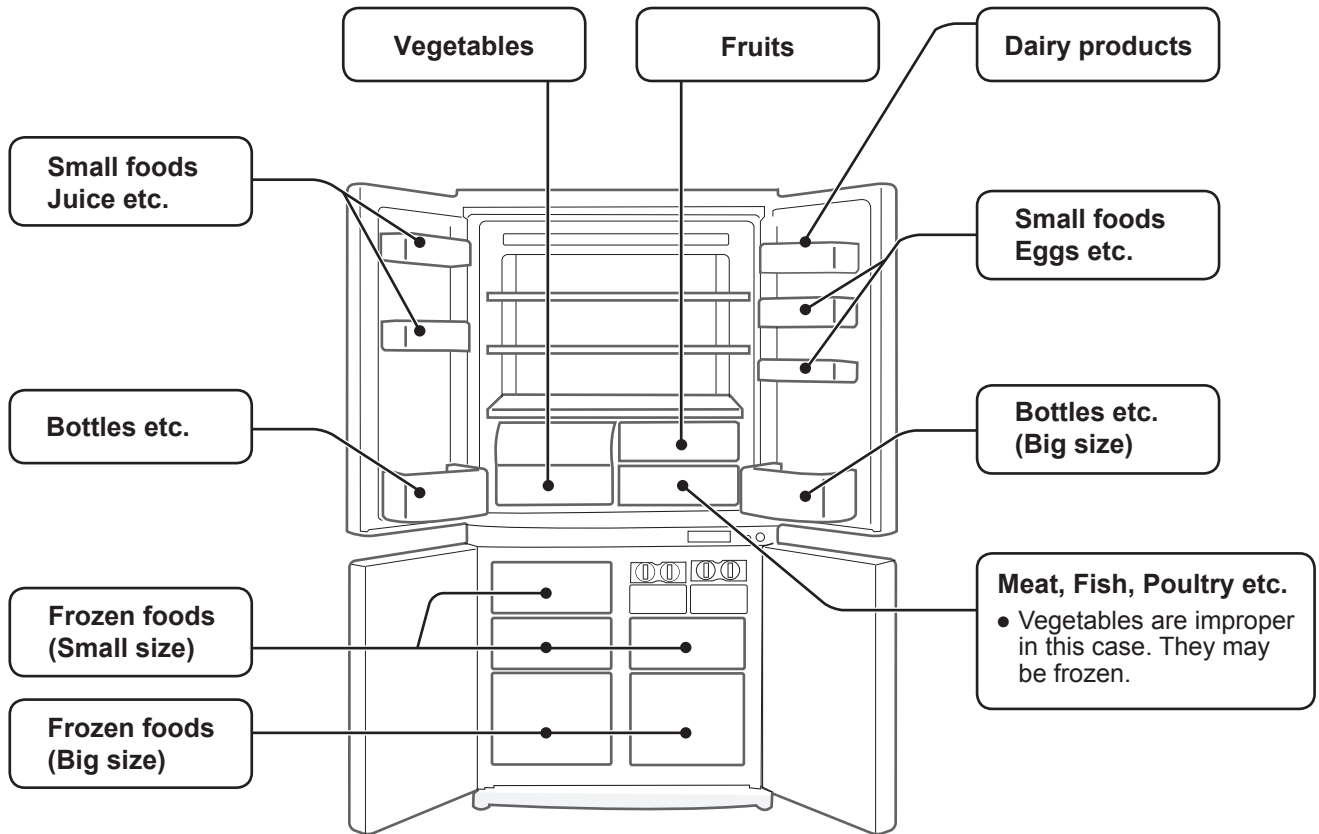
Press the “◊” button continuously 3 seconds or more while holding down the CHOOSE button.



It shows the door alarm stop.

It is the same method also when restarting the operation.

# STORING FOOD



Refrigeration reduces the rate of food spoilage. To maximize the shelf life of perishable food products, ensure that the food is of the freshest possible quality. The following is a general guide to help promote longer food storage.

## Fruit / Vegetables

To minimize moisture loss, fruit and vegetables should be loosely enclosed in a plastic material e.g. wrap, bags (do not seal) and place in the vegetable crisper or the fruit case. If you store a lot of vegetables, dew may form. This has no effect on the operation or the performance. Use a dry cloth to remove the dew.

## Dairy Products & Eggs

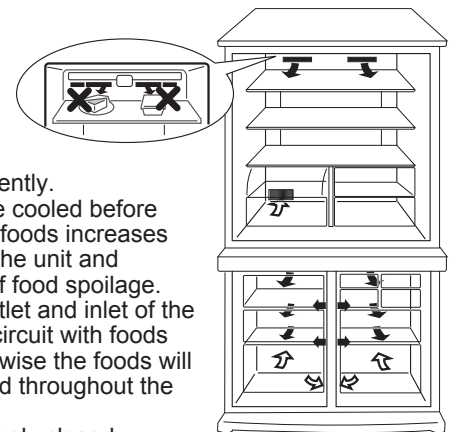
- Most dairy products have a use by date on the outer packaging which informs the recommended temperature and shelf life of the product.
- Eggs should be stored in the Egg holder.

## Meats / Fish / Poultry

- Place on a plate or dish and cover with paper or plastic wrap.
- For larger cuts of meat, fish, or poultry, place to the rear of the shelves.
- Ensure all cooked food is wrapped securely or placed in an airtight container.

## NOTE

- Evenly place the food on the shelves to allow the cooling air to circulate efficiently.
- Hot foods should be cooled before storing. Storing hot foods increases the temperature in the unit and increases the risk of food spoilage.
- Do not block the outlet and inlet of the cool air circulating circuit with foods or containers; otherwise the foods will not be evenly cooled throughout the refrigerator.
- Keep the door securely closed.



← IN  
→ OUT

Do not place food directly in front of cold air outlet. This may lead to the food freezing.

## For best freezing

- Quality of foods should be fresh.
- Freeze small quantities of food at a time to freeze them quickly.
- Food should be properly sealed, sealed tightly or covered.
- Evenly place the food in the freezer.
- Label bags or containers to keep an inventory of freezing food.

# CARE AND CLEANING

## WARNING

- Unplug the refrigerator first to prevent electric shock.
- Do not splash water directly on the outer cabinet or the interior. This may lead to rusting and deterioration of the electrical insulation.

## IMPORTANT

To prevent cracking on inside surfaces and plastic components, follow these tips.

- Wipe any food oils adhered to plastic components.
- Some household chemicals may cause damage, so use only diluted washing-up liquid (soapy water).
- If undiluted detergent is used or soapy water is not wiped off thoroughly, cracking of plastic parts can result.

- 1 Remove the accessories e.g. shelves from the cabinet and door. Wash them in warm soapy dishwashing water; rinse in clean water and dry.
- 2 Clean the inside with a cloth soaked in warm soapy dishwashing water. Then, use cold water to wipe off soapy water.
- 3 Wipe the exterior with a soft cloth each time it is soiled.
- 4 Clean the Magnetic door seal with a toothbrush and warm soapy dishwashing water.
- 5 Wipe the control panel with the dry cloth.

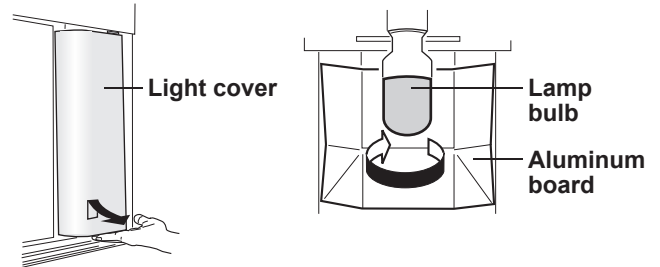
## NOTE

- To prevent damage to your refrigerator, do not use heavy duty cleansers or solvents (lacquer, paint, polishing powder, benzene, boiled water, etc.).
- If the power supply is disconnected, please wait for at least 5 minutes before re-connecting power.
- The glass shelves weigh approximately 3 kg each. Hold firmly when removing from the cabinet or carrying.
- Do not drop objects inside the refrigerator or strike the inner wall. This may cause the inner surface to crack.

## Replacing method of the lamp bulb

1. Unplug the refrigerator first to prevent electric shock.
2. Remove the light cover.
3. Replace the lamp bulb with the same type.

Lamp cap E14, MAX 15W, 4 pieces

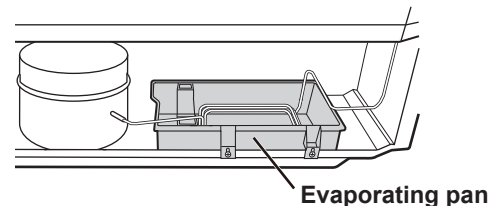


## CAUTION

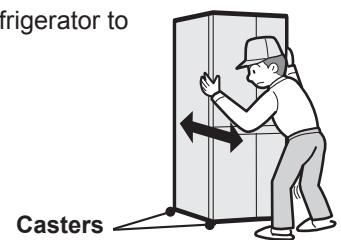
Do not touch the aluminum board around the lamp. The edge face of the metal may cause injury.

## When transporting

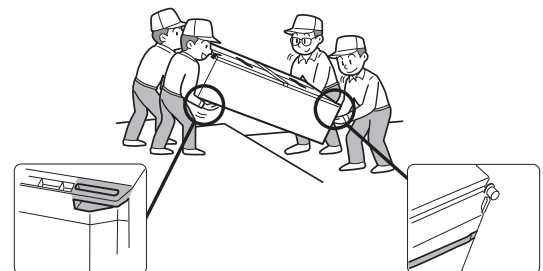
- Wipe up water in the evaporating pan. Before wiping up the water, wait more than 1 hour after pulling out the plug because refrigeration cycle equipment is extremely hot. (The evaporating pan is located on the rear of the product.)



- The casters allow the refrigerator to move back and forth.



- Carry the refrigerator by holding the handles located on the rear and bottom.



## Switching off your refrigerator

If you switch your refrigerator off when you are going away for an extended period, remove all food, clean the interior thoroughly. Remove the power cord plug from the power socket and leave all doors open.



# BEFORE YOU CALL FOR SERVICE

Before you call for service, check the following points.

Problem	Solution
The outside of the cabinet is hot when touched.	It is normal. The hot pipe is in the cabinet in order to prevent dew generation.
When there is refrigerator noise.	<p>It is normal for the refrigerator to produce the following sounds.</p> <ul style="list-style-type: none"> <li>• Loud noise produced by the compressor when operation starts               <ul style="list-style-type: none"> <li>--- Sound becomes quieter after a while.</li> </ul> </li> <li>• Loud noise produced once a day by the compressor               <ul style="list-style-type: none"> <li>--- Operating sound produced immediately after automatic defrost operation.</li> </ul> </li> <li>• Sound of flowing fluid (gurgling sound, fizzing sound)               <ul style="list-style-type: none"> <li>--- Sound of refrigerant flowing in pipes (sound may become louder from time to time).</li> </ul> </li> <li>• Cracking or crunching sound, squeaking sound               <ul style="list-style-type: none"> <li>--- Sound produced by expansion and contraction of inner walls and internal parts during cooling.</li> </ul> </li> </ul>
Frosting or dew generation occurs inside or outside the refrigerator.	<p>This may occur in one of the following cases. Use a wet cloth for wiping frost and a dry cloth for wiping dew.</p> <ul style="list-style-type: none"> <li>• When the ambient humidity is high.</li> <li>• When the door is frequently opened and closed.</li> <li>• When food containing plenty of moisture is stored. (Wrapping is required.)</li> </ul>
Food in the refrigerator compartment freeze.	<ul style="list-style-type: none"> <li>• Is the refrigerator operated for a long time with refrigerator temp. control set at 0°C?</li> <li>• Is the refrigerator operated for a long time with freezer temp. control set at -21°C?</li> <li>• Low ambient temperatures may cause placed foods to freeze even if the refrigerator temp. control is set to 6°C.</li> </ul>
It smells in the compartment.	<ul style="list-style-type: none"> <li>• Wrapping is required for the foods with strong smell.</li> <li>• Deodorizing unit cannot remove all of the smell.</li> </ul>

## IF YOU STILL REQUIRE SERVICE

Refer to your nearest service agent approved by SHARP.

Мы благодарим Вас за покупку этого изделия фирмы SHARP. Перед использованием Вашего холодильника SHARP прочитайте, пожалуйста, данное руководство по эксплуатации с тем, чтобы получить от Вашего нового холодильника максимум пользы. Данный холодильник предназначен только для домашнего использования при температуре окружающей среды от +5°С до +43°С. Холодильник не должен подвергаться воздействию температуры -10°С или ниже в течение длительного времени.

Для бытового  
использования

## ПРЕДУПРЕЖДЕНИЕ

- Не храните легко испаряющиеся и воспламеняющиеся материалы, такие как эфир, бензин, пропан, баллоны с аэрозолем, связующие вещества, чистый алкоголь и т.д. Данные материалы могут взорваться.
- Пыль на штепсельной вилке может послужить причиной пожара. Тщательно вытирайте ее.
- Не переделывайте этот холодильник. Также разборка и ремонт, проводимые не специалистами по ремонту, могут привести к пожару, поражению электрическим током или травме.
- Во время хранения холодильника для утилизации убедитесь, что холодильник не несет опасности для детей. (например, снимите магнитные уплотнители дверного контура, чтобы ребенок не закрылся внутри.)
- Данный холодильник необходимо утилизировать соответствующим образом, на установке для вторичного использования легко воспламеняющихся газов, просачивающихся через изоляцию.

## ОСТОРОЖНО

- Не трогайте руками компрессорный агрегат или его расположенные по периферии детали, т.к. они могут сильно нагреваться во время работы, а металлические кромки могут привести к травме.
- Не прикасайтесь к продуктам или металлическим контейнерам в морозильной камере влажными руками. Это может привести к обморожению рук.
- Не используйте удлинитель или штепсель-переходник.
- Не кладите бутылки и жестяные банки в морозильную камеру, так как после заморозки они могут разорваться.
- Убедитесь, что электрошнур не был поврежден во время установки или перестановки. Если штепсельная вилка или шнур плохо закреплены, не подключайте вилку. Это может привести к поражению электрическим током или возгоранию.
- Вытаскивая штепсельную вилку, беритесь за нее, а не за провод. Дергание за провод может привести к поражению электрическим током или воспламенению.
- Система охлаждения сзади и внутри холодильной камеры содержит хладагент. Не допускайте контакта острых предметов с системой охлаждения.
- В случае повреждения гибкого электрошнура, он должен быть заменен агентом по сервисному обслуживанию, имеющим право на ремонт аппаратуры SHARP, так как требуется специальный шнур.
- В случае утечки газа проветрите помещение, открыв окно и т.п. Не трогайте холодильник или штепсельную розетку.
- Не ставьте неустойчивые или содержащие жидкость предметы на холодильник.
- Данный холодильник не предназначен для использования людьми (включая детей) с ограниченными физическими возможностями, способностями восприятия и с недостаточными знаниями, за исключением тех случаев, когда они находятся под присмотром или им даются указания по использованию холодильником со стороны человека, ответственного за их безопасность.

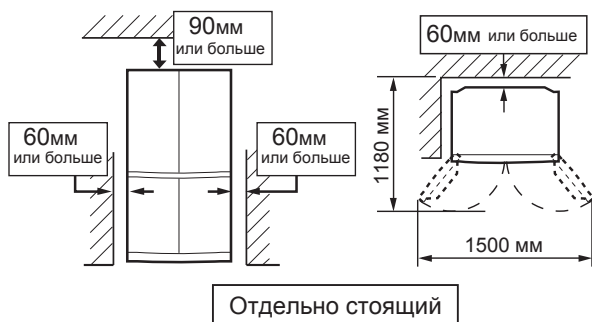
# УСТАНОВКА

## ПРЕДУПРЕЖДЕНИЕ

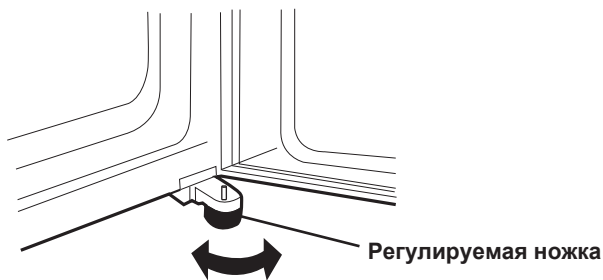
- Не устанавливайте данный холодильник во влажном или мокром месте, так как в изоляторе возникнет неисправность, вызывающая течь. Более того, сконденсировавшиеся газы могут накапливаться снаружи холодильника.

### 1 Обеспечьте свободное пространство для достаточной вентиляции холодильника.

- На рисунке показано минимальное свободное пространство, необходимое для установки холодильника. Количество потребления энергии зависит от размеров пространства.
- На большем пространстве холодильник может работать с меньшим потреблением энергии.
- В случае, если используемое для холодильника пространство по размерам меньше указанного на рисунке, это может привести к повышению температуры внутри холодильника, громкому шуму и сбоям в его работе.



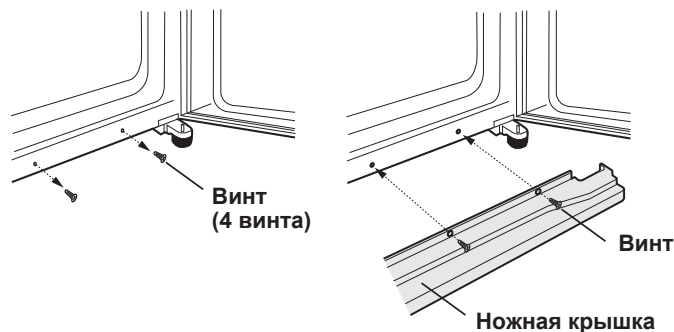
### 2 Используйте две передние регулируемые ножки, чтобы быть уверенными в том, что холодильник находится в устойчивом положении и выставлен на плоском полу.



### 3 Если левая и правая дверцы не выровнены надлежащим образом, выполните регулировку с помощью регулировочных ножек.



### 4 Вывинтите 4 винта из нижней части корпуса, а затем закрепите нижнюю крышку (изначально находится внутри холодильной камеры) при помощи данных 4 винтов.



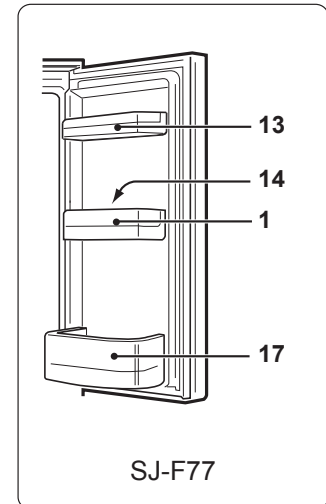
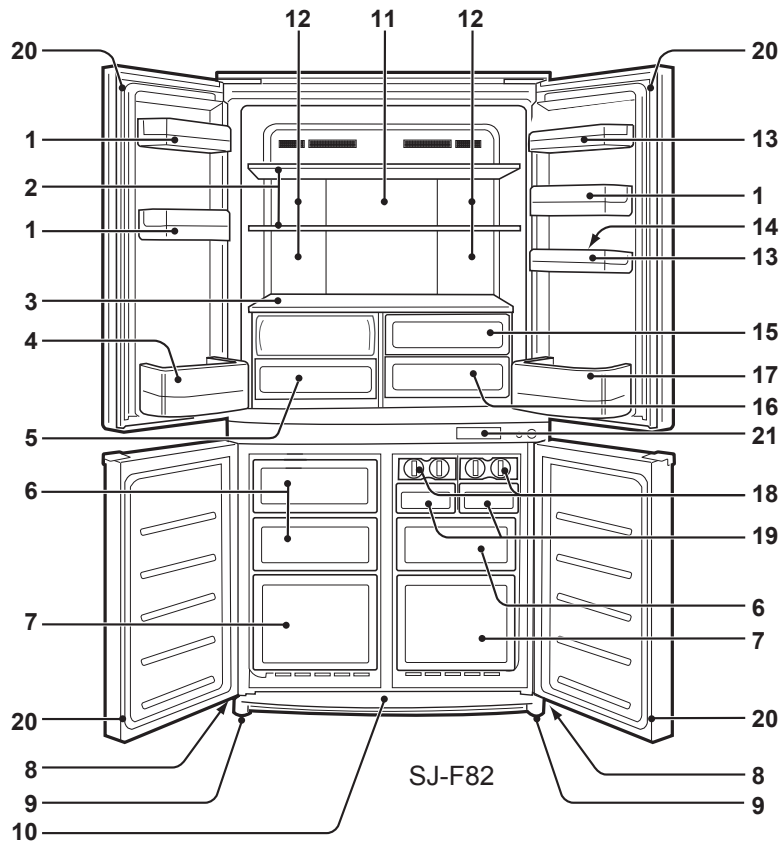
## ПРИМЕЧАНИЕ

- Расположите Ваш холодильник так, чтобы был доступ к штепсельной вилке.
- Не подвергайте Ваш холодильник прямому воздействию солнечных лучей.
- Не устанавливайте холодильник вблизи отопительных установок и батарей.
- Не устанавливайте холодильник непосредственно на земле. Следите за обеспечением надежной позиции.
- Если вставить штепсельную вилку в розетку при открытой дверце, начнет звучать сигнал открытой дверцы, однако это является нормальным. При закрывании дверцы сигнал прекратится.

## Перед использованием морозильной камеры холодильника

Очистите внутренние части с помощью ткани, смоченной в теплой воде. В случае использования мыльной воды, тщательно смойте ее простой водой.

# ОПИСАНИЕ

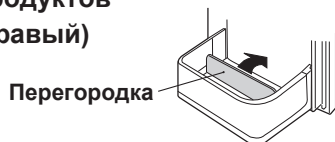


1. Полки на двери (3 шт.)
2. Полки холодильника
3. Полка
4. Отсек для бутылок (левый)
5. Секция для хранения овощей
6. Морозильные камеры (маленький) (3 шт.)
7. Морозильные камеры (большой) (2 шт.)
8. Ролики (4 шт.)
9. Регулируемые ножки (2 шт.)
10. Ножная крышка

11. **Алюминиевая панель**  
Панель охлаждается с задней стороны, тем самым охлаждая холодильную камеру. Данный способ позволяет охлаждать продукты питания умеренно, не подвергая их воздействию потока холодного воздуха.

12. Освещение
13. Вспомогательные отсеки (SJ-F77 ; 1 отсек, SJ-F82 ; 2 отсеки)
14. Держатель яиц
15. Ящик для фруктов
16. Камера для свежих продуктов
17. Отсек для бутылок (правый)

Для хранения бутылок больших размеров сдвиньте перегородку назад до упора.



Перегородка

18. **Секция приготовления кубиков льда (2 шт.)**
  - Не переполняйте контейнер; в противном случае кубики льда будут соединяться вместе.
  - Когда кубики льда приготовлены, поверните рукоятку по часовой стрелке для опорожнения льда в контейнер для хранения льда.

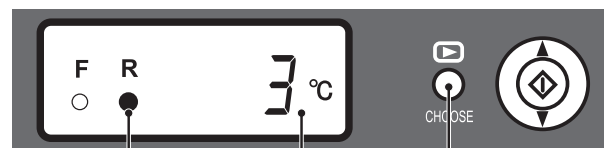


Рукоятка

Контейнер для хранения льда

19. **Контейнер для хранения льда (2 шт.)**  
Чтобы предохранить от повреждения контейнер для хранения льда, не делайте в нем лед и не наливайте в него масло.
20. **Магнитные уплотнители дверного контура (4 шт.)**
21. **Панель управления**
  - Отображается заданная температура. (Это не текущая температура в отсеке).
  - Дисплей холодильной и морозильной камеры можно изменить, нажав кнопку "CHOOSE" (ВЫБОР).

## Заданная температура холодильной камеры

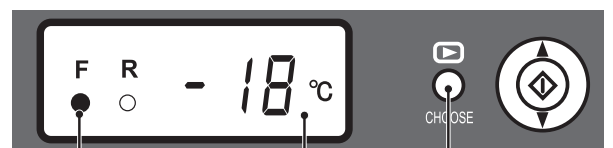


Лампа R (горит) Светодиодный дисплей Кнопка "CHOOSE"

Это означает "Refrigerator".



## Заданная температура морозильной камеры



Лампа F (горит) Светодиодный дисплей Кнопка "CHOOSE"

Это означает "Freezer".

## ПРИМЕЧАНИЕ

Светодиодная лампа и температурный дисплей выключится, если нет никаких действий в течение 1 минуты. (Когда будет нажата любая из кнопок, она загорится снова.)

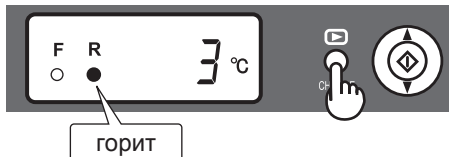
# ЭКСПЛУАТАЦИЯ

## Регулировка Температуры

Холодильник регулирует температуру автоматически. Однако, если необходимо, установите температуру следующим образом.

### Холодильная камера

- 1 Нажмите кнопку "CHOOSE", после чего загорится лампа R.



- 2 Нажмите кнопку ▲ или ▼ и выберите желаемую температуру. [▲ : увеличение, ▼ : уменьшение]



- 3 Нажмите кнопку "↕".



Регулируется в пределах от 0°C до 6°C с шагом 1°C.

↑ 6°C	Когда холодильник обеспечивает избыточное охлаждение.
3°C	Для нормальной работы.
↓ 0°C	Для сохранения более свежего вкуса продуктов питания. Когда холодильник не обеспечивает достаточного охлаждения.

## Подсказки для сбережения энергии

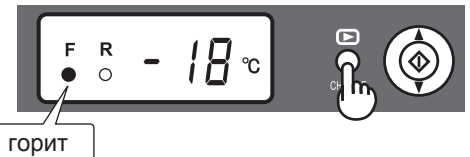
Встроенный элемент, не требующий ручного обслуживания, т.к. он начинает действовать автоматически сразу же после включения холодильника.

## Размораживание

- Система разморозки включает полностью автоматический энергосберегающий размораживающий блок.
- Вода, остающаяся после размораживания, собирается в выпарной аппарат, где испаряется от тепла компрессора и т.п.
- Выпарной аппарат не требует очистки или обслуживания.

### Морозильная камера

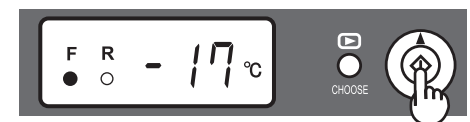
- 1 Нажмите кнопку "CHOOSE", после чего загорится лампа F.



- 2 Нажмите кнопку ▲ или ▼ и выберите желаемую температуру. [▲ : увеличение, ▼ : уменьшение]



- 3 Нажмите кнопку "↕".



Регулируется в пределах от -13°C до -21°C с шагом 1°C.

↑ -13°C	Когда не хранятся замороженные продукты питания или мороженое.
-18°C	Для нормального замораживания.
↓ -21°C	Для быстрого приготовления льда или быстрого замораживания.

## Сигнал открытой дверцы

Если дверца холодильной или морозильной камеры долго открыта, включится сигнализация открытой дверцы.

- Сигнализация открытой дверцы начнет работать через 1 минуту после открытия дверцы, а затем будет активироваться ещё через 1 минуту (в обоих случаях сигнализация срабатывает один раз).
- Если дверца открыта около 3 минут, то сигнализация будет работать постоянно.

## Для отмены операции

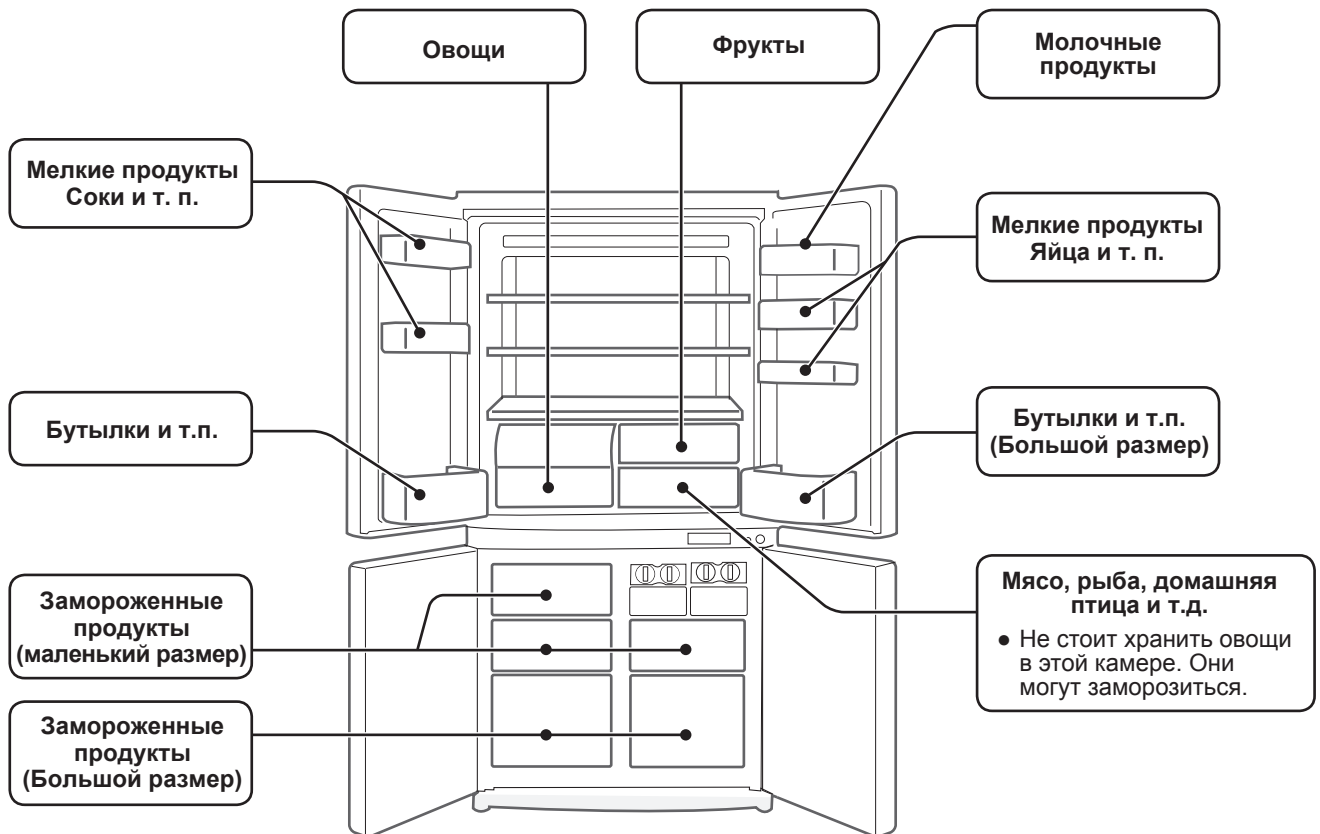
Нажмите кнопку "↕" в течение 3 секунд или дольше, удерживая кнопку "CHOOSE".



Это указывает на прекращение работы сигнализации открытой дверцы.

Таким же способом можно возобновить работу.

# ХРАНЕНИЕ ПРОДУКТОВ



Холодильник снижает вероятность порчи продуктов. Чтобы максимально продлить срок хранения скоропортящихся продуктов питания, убедитесь, что качество продуктов по возможности самое свежее. Информация, указанная ниже, представляет собой общее руководство, помогающее обеспечить более длительное хранение продуктов питания.

## Фрукты / Овощи

Чтобы минимизировать потерю влаги в овощах и фруктах, их следует свободно разместить в полиэтиленовой упаковке, например, сложить в пакеты или завернуть в пленку (неплотно), затем поместить в секцию для хранения овощей или ящик для фруктов. Хранение большого количества овощей может привести к образованию конденсата. Это явление не оказывает влияния на выполнение операции или рабочие характеристики. С помощью сухой ткани удалите конденсат.

## Молочные продукты и яйца

- Большинство молочных продуктов имеют дату на упаковке, где сообщается рекомендуемая температура и срок хранения продукта.
- Яйца следует хранить в держателе яиц.

## Мясо / Рыба / Птица

- Поставьте на тарелку или поднос и закройте бумагой или полиэтиленовой пленкой.
- Большие куски мяса, рыбы или птицы кладите к задней стенке полок.
- Убедитесь, что вся приготовленная пища как следует упакована или положена в воздухо непроницаемую емкость.

## ПРИМЕЧАНИЕ

- Располагайте продукты на полках равномерно с тем, чтобы обеспечивалась эффективная циркуляция охлаждающего воздуха.
- Горячие продукты следует охладить перед их помещением в холодильник. Помещение горячих продуктов в холодильник повышает температуру в камере и увеличивает таким образом риск порчи продуктов.
- Не блокируйте выходное и входное отверстия системы циркуляции охлаждающего воздуха продуктами, емкостями или иными предметами; в противном случае продукты в холодильнике не будут охлаждаться равномерно.
- Дверцу следует надежно закрывать.



Не ставьте продукты непосредственно перед выходным отверстием холодного воздуха. Это может привести к замерзанию продуктов.

## Для лучшего замораживания

- Продукты питания должны быть свежими.
- Замораживайте небольшое количество продуктов за один раз, чтобы они быстро заморозились.
- Продукты должны быть надлежащим образом запакованы, накрыты или герметично изолированы.
- Располагайте продукты питания в морозильной камере равномерно.
- Приклеивайте этикетки на пакеты и емкости, чтобы вести учет замороженных продуктов.



## ПРЕДУПРЕЖДЕНИЕ

- Во избежание поражения электрическим током, сначала отсоедините холодильник от сети.
- Не брызгайте водой непосредственно на наружную или внутреннюю поверхность холодильника, это может привести к появлению ржавчины и повреждению изоляции.

## ВАЖНО

Во избежание появления трещин на внутренних поверхностях и пластиковых деталях соблюдайте следующие правила.

- Сотрите все пищевые жиры с пластиковых поверхностей.
- Некоторые бытовые чистящие химические препараты могут повредить очищаемые поверхности, поэтому используйте только разбавленные жидкости для мытья посуды (мыльную воду).
- Если Вы использовали неразбавленные очистители или не вытерли мыльную воду, пластиковые детали могут потрескаться.

- 1** Извлеките аксессуары (например, полки и т.п.) из камеры и дверцы. Промойте их теплым раствором жидкости для мытья посуды, прополощите в чистой воде и высушите.
- 2** Вычистите внутреннюю часть холодильника тряпкой, смоченной в теплом растворе жидкости для мытья посуды. Затем смойте мыльную воду холодной водой.
- 3** Протирайте наружную часть холодильника мягкой тряпкой каждый раз, когда имеются загрязнения.
- 4** Для чистки магнитного уплотнителя дверного контура используйте зубную щетку и теплый раствор жидкости для мытья посуды.
- 5** Пожалуйста, протрите панель управления сухой тряпкой.

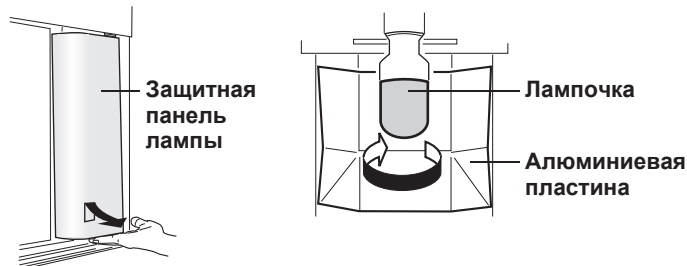
## ПРИМЕЧАНИЕ

- Во избежание повреждений холодильника не используйте активные чистящие средства или растворители (лак, краска, полировальный порошок, бензин, горячая вода и т.д.).
- Если электроснабжение было прервано, то подождите как минимум 5 минут перед подключением холодильника к сети.
- Стекланные полки весят приблизительно 3 кг каждая. Крепко держите, вынимая из корпуса холодильника или перенося.
- Не бросайте продукты внутрь холодильника и не наносите ударов по внутренней стенке. Это может быть причиной возникновения трещины на внутренней поверхности.

## Способ замены лампы подсветки

1. Первым делом отключите холодильник от сети для предотвращения поражения электрическим током.
2. Снимите защитную панель лампы.
3. Замените лампочку новой такого же типа.

Цоколь E14, МАХ 15Вт, 4 шт.

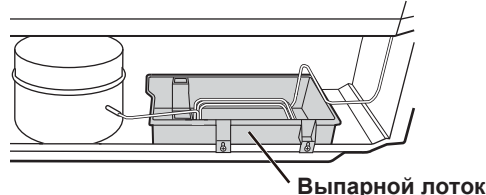


## ОСТОРОЖНО

Не касайтесь алюминиевой пластины около лампы. Край металла может привести к травме.

## При транспортировке

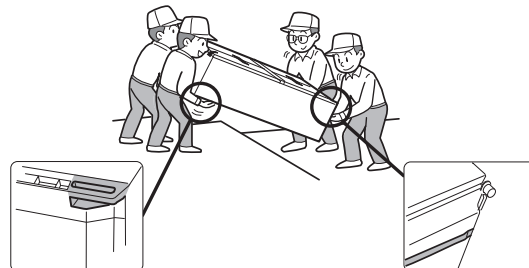
- Протрите остатки воды в выпарном лотке. Прежде чем вытереть воду, подождите не менее 1 часа после отключения из розетки, т.к. оборудование холодильного цикла очень горячее. (Выпарной лоток расположен с задней стороны устройства.)



- Ролики позволяют передвигать холодильник.



- Переносите холодильник, удерживая за ручки, расположенные на задней стороне и снизу.



## Выключение Вашего холодильника

Если Вы выключаете Ваш холодильник, когда Вы уезжаете куда-либо на продолжительный период времени, выньте продукты питания и как следует вычистите его внутри. Удалите шнур питания из электрической розетки и оставьте все дверцы открытыми.

# ПРЕЖДЕ ЧЕМ ОБРАТИТЬСЯ В СЕРВИСНУЮ СЛУЖБУ

Прежде чем обратиться в сервисную службу, проверьте следующее.

Проблема	Решение
Наружная часть камеры горячая при прикосновении.	Это нормально. В камере находится горячая труба для предотвращения образования капель.
Возникновение шума холодильника.	Это нормально для холодильника, если он производит следующие звуки. <ul style="list-style-type: none"><li>• Громкий шум, производимый компрессором при включении --- Звук становится тише по истечении некоторого времени.</li><li>• Громкий шум, производимый один раз в день компрессором --- Рабочий звук, производимый сразу после автоматического процесса размораживания.</li><li>• Звук текущей жидкости (булькающий, свистящий звук) --- Звук протекания охладителя, циркулирующего по трубам (звук может становиться громче время от времени).</li><li>• Трескающий или перемалывающий звук, скрипучий звук --- Звук, производимый расширением и сужением внутренних стенок и находящихся внутри деталей во время охлаждения.</li></ul>
Происходит намораживание или образование капель снаружи или внутри холодильника.	Это может произойти в одном из следующих случаев. Используйте мокрую ткань для удаления намораживания и сухую для вытирания капель. <ul style="list-style-type: none"><li>• При высокой влажности окружающего воздуха.</li><li>• При частом открывании и закрывании двери.</li><li>• При хранении продуктов, содержащих много влаги. (Необходима упаковка).</li></ul>
Продукты в холодильном отделении замерзают.	<ul style="list-style-type: none"><li>• Не эксплуатировался ли холодильник в течение длительного времени при установленном регуляторе регулировке температуры холодильной камеры в положение 0°C?</li><li>• Не эксплуатировался ли холодильник в течение длительного времени при установленном регуляторе регулировке температуры морозильной камеры в положение -21°C?</li><li>• Низкая окружающая температура может вызвать замораживание хранимых продуктов, даже если регулировке температуры холодильной камеры установлена на 6°C.</li></ul>
В отделении имеется запах.	<ul style="list-style-type: none"><li>• Продукты с сильным запахом необходимо заворачивать.</li><li>• Дезодорирующий катализатор не может устранить все запахи.</li></ul>

## ЕСЛИ НУЖНО СЕРВИСНОЕ ОБСЛУЖИВАНИЕ

Обратитесь к Вашему ближайшему агенту по сервисному обслуживанию, уполномоченному фирмой SHARP.



SHARP өнімін сатып алғаныңыз үшін алғысымызды айтамыз. SHARP тоңазытқышын қолданудың алдында, оның мүмкіндігін пайдалы қолдану үшін осы пайдалану нұсқаулығын оқыңыз. Бұл тоңазытқыш қоршаған орта температурасы +5°C және +43°C арасындағы тұрмыстық жайда пайдалану үшін арналған. Тоңазытқышты -10°C не одан төмен температурада ұзақ уақыт пайдалануға болмайды.

Тек тұрмыстық қолданыс үшін

## ЕСКЕРТУ

- Тоңазытқыштың ішінде эфир, бензин, пропан, аэрозольді баллон, желімдегіш заттар, таза спирт және т.б. сияқты ұшатын және тез тұтанатын заттарды сақтамаңыз. Бұлар жарылғыш заттар болып табылады.
- Ашаға жиналған шаң өрт қаупіне әкелуі мүмкін. Оны мұқият сүртіңіз.
- Бұл тоңазытқышты өзгертуге немесе жөндеуге тырыспаңыз. Өрт шығуы, электр тоғының соғуы немесе адам жарақаты болуы мүмкін.
- Тоңазытқышты жою барысында балаларға қауіпті болмайтынына көз жеткізіңіз. (мысалы, баланың қысылып қалмауы үшін есіктің магнитті тығыздағыштарын алып тастаңыз.)
- Бұл тоңазытқыш сәйкесінше жойылуы тиіс. Тоңазытқышты жанғыш изоляциялық үрлейтін газдарды регенерациялайтын зауытқа тапсырыңыз.

## САҚТЫҚ

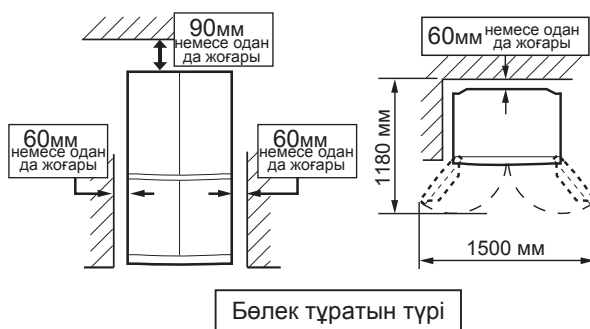
- Компрессор агрегатын немесе оның сыртқы бөлшектерін ұстамаңыз, олар жұмыс істеп тұрғандықтан тым ыстық болуы және жарақаттауы мүмкін.
- Мұздатқыш камерасындағы тағамды немесе темір контейнерлерді дымқыл қолдарыңызбен ұстамаңыз. Үсікке себеп болуы мүмкін.
- Ұзартқыш немесе штепсельді өткізгіш қолданбаңыз.
- Мұздатқыштың ішіне бөтелкедегі және консервідегі сусындарын салмаңыз, қатқан кезде шытынауы мүмкін.
- Орнату немесе жылжыту барысында қорек сымына зақым келмегенін тексеріңіз. Егер аша немесе сым бос болса, ашаны розеткаға сұқпаңыз. Электр тоғының соғу немесе өрт шығу қаупі бар.
- Электр розеткасынан ашаны суырып шығару арқылы электр көзін ажыратыңыз. Ашаның сымынан тартып суырмаңыз. Электр тоғының соғуы немесе өрт шығуы мүмкін.
- Тоңазытқыштың артқы жағындағы және ішіндегі тоңазыту жүйесінде тоңазыту құралы бар. Тоңазыту жүйесіне кез келген ұшты заттардың жанасуына жол бермеңіз.
- Иілгіш электр сымы зақымданған жағдайда арнайы сым қажет болғандықтан, оны құрылғыларын жөндейтін SHARP компаниясының қызмет орталығы ауыстыруы тиіс.
- Газ шыққан жағдайда, бөлмені терезелерді, т.б. ашып желдетіп алыңыз. Тоңазытқышқа немесе розеткаға қол тигізбеңіз.
- Тоңазытқыштың үстіне сұйықтығы бар немесе тұрақсыз заттарды қоймаңыз.
- Бұл тоңазытқыш қауіпсіздікке жауапты тұлға тоңазытқышты пайдалануға қатысты нұсқау бермесе мүмкіндігі шектеулі немесе тәжірибесі не білімі жоқ адамдар (соның ішінде балалар) тарапынан пайдалануға арналмаған. Кішкентай балаларды тоңазытқышпен ойнамауы үшін оларды қадағалау қажет.

## ЕСКЕРТУ

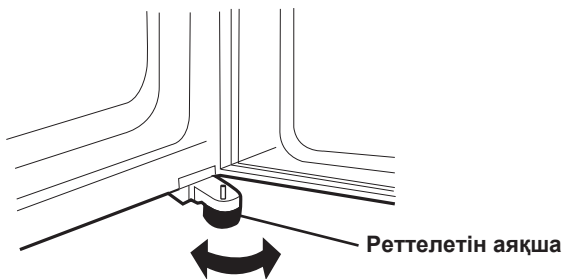
- Тоңазытқышты сулы немесе ылғалды жерде орнатпаңыз, ол изолятордың зақымдануына және ағуына себеп болады. Оған қоса, конденсацияланған газдар тоңазытқыштың сыртына жиналады.

### 1 Тоңазытқыштың айналасында желдетуге қажетті кеңістік қалдырыңыз.

- Тоңазытқышты орнатуға арналған ең аз қажетті кеңістік суретте көрсетілген. Ол электр энергиясын аз тұтынуға қажетті кеңістіктен өзгеше болады.
- Үлкенірек орын қалдырсаңыз, тоңазытқыш аз электр энергиясын тұтынып жұмыс істеуі мүмкін.
- Егер тоңазытқыш төмендегі суретте көрсетілгеннен аз кеңістікте қолданылса, ол құрылғыдағы температураның көтерілуіне, қатты дыбыстың шығуына және ақаулыққа әкелуі мүмкін.



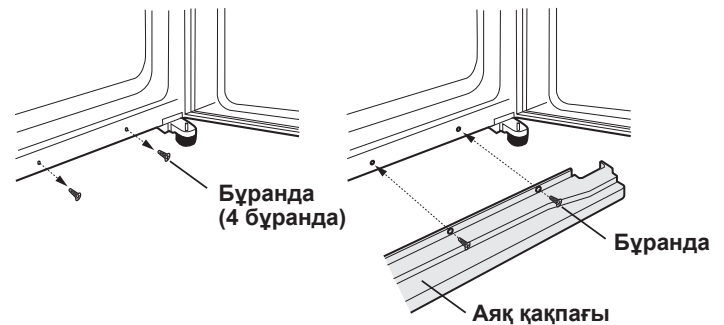
### 2 Екі алдыңғы реттелетін аяқты қолданған кезде, тоңазытқыштың еденге тұрақты орналасқанын және бір деңгейде екенін тексеріңіз.



### 3 Оң және сол жақ есіктер дұрыс тураланбаған кезде, реттелетін аяқтарды арқылы реттеңіз.



### 4 Корпустың астыңғы жағындағы 4 бұранданы ағытыңыз, одан кейін ағытылған 4 бұранда арқылы аяқ қақпағын (тоңазытқыш камерасында бұрыннан бар) орнатыңыз.



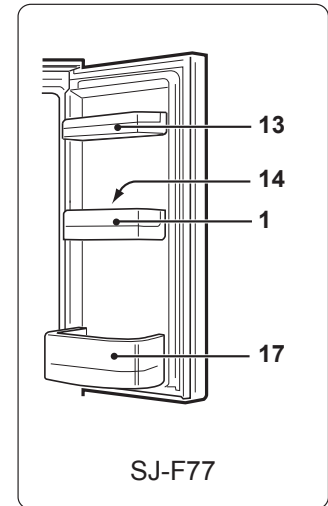
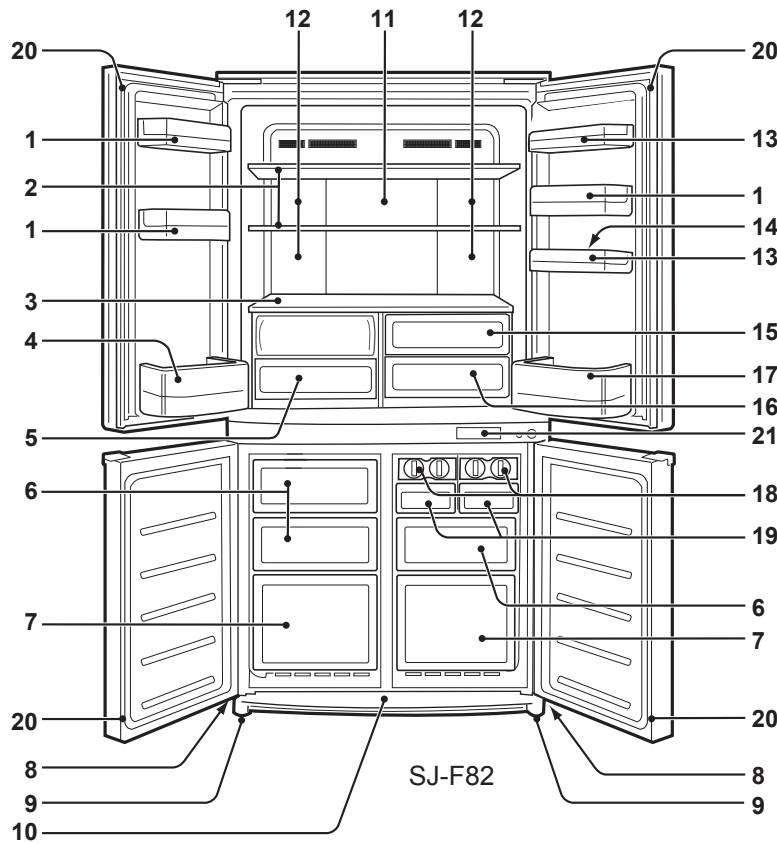
## ЕСКЕРТПЕ

- Тоңазытқышыңызды ашаға қол жететіндей етіп орналастырыңыз.
- Тоңазытқышыңызды тікелей күн сәулесінен сақтаңыз.
- Қыздыратын құрылғылардың қасына орнатпаңыз.
- Тоңазытқышты тікелей жерге орнатпаңыз. Ыңғайлы орынға орналастырыңыз.
- Егер аша есік ашық кезде қосылса, ашық есіктің дабылы естіледі, ол әдеттегі нәрсе. Есікті жапқан кезде дыбыс тоқтайды.

## Тоңазытқышты қолданудан бұрын

Тоңазытқыштың ішкі бөліктерін суланған шүберекпен тазалаңыз. Егер сабынды су қолданылса, сумен мықтылап сүртіңіз.

# СИПАТТАМАСЫ



1. Есіктегі сөрелер (3 дана)
2. Тоңазытқыш сөрелері
3. Сөре
4. Бөтелке қоятын бөлім (сол)
5. Көкөніс сақтайтын бөлім
6. Мұздатқыш камералары (кішкентай) (3 дана)
7. Мұздатқыш камералары (үлкен) (2 дана)
8. Доңғалақшалар (4 дана)
9. Реттелетін аяқтар (2 дана)
10. Аяқ қақпағы

## 11. Алюминий панелі

Панель артқы жақтан салқындалады және жанама түрде тоңазытқыш камерасын салқындатады. Бұл жағдайда, тағамды салқын ауа әсерінсіз біріңғай салқындалады.

## 12. Жарық

## 13. Қосымша бөлімдер

(SJ-F77 ; 1 бөлім, SJ-F82 ; 2 бөлімдер)

## 14. Жұмыртқа ұстатқыш

## 15. Жеміс сақтайтын бөлім

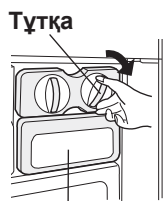
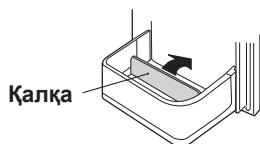
## 16. Жаңа тағам камерасы

## 17. Бөтелке қоятын бөлім (оң)

Үлкен көлемді бөтелкелер сақтау үшін қалқаны артқа тірелгенше жылжытыңыз.

## 18. Мұз кубиктерін дайындайтын бөлім (2 дана)

- Контейнерді асыра толтырмаңыз, әйтпесе, мұз кубиктері бірігіп қатып қалады.
- Мұз кубиктері дайын болған кезде, мұздың мұз сақтау қорабына түсуі үшін тұтқаны сағат тілі бағытымен бұраңыз.



Мұз сақтау қорабы

## 19. Мұз сақтау қорабы (2 дана)

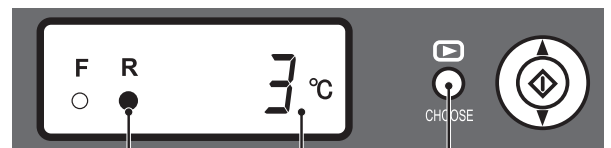
Мұз сақтау қорабының зақымдалуына жол бермеу үшін Мұз сақтау қорабында мұз жасамаңыз немесе ішіне май құймаңыз.

## 20. Есіктің магнитті тығыздағыштары (4 дана)

## 21. Басқару панелі

- Берілген температура дисплейде көрсетіледі. (Бұл бөліктегі нақты температура емес.)
- “CHOOSE” (таңдау) түймешігін басу арқылы тоңазытқыш және мұздатқыш камерасының дисплейін өзгертуге болады.

## Берілген температураның тоңазытқыштық бөлімі



R шамы (жарықтандыру)

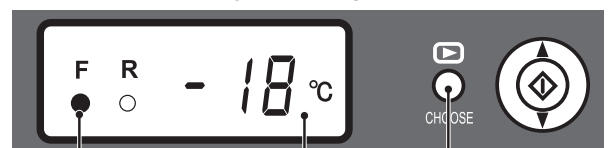
Светодиодты дисплей

“CHOOSE” (таңдау) түймешігі

Ол “Refrigerator” (Тоңазытқышты) ұсынады



## Берілген температураның мұздатқыш камерасы



F шамы (жарықтандыру)

Светодиодты дисплей

“CHOOSE” (таңдау) түймешігі

Ол “Freezer” (Мұздатқышты) ұсынады

## ЕСКЕРТПЕ

Егер 1 минут аралығында ешқандай әрекеттер болмаған жағдайда светодиодты шам мен температура дисплейі өшеді. (Қандайда бір пернені бассаңыз, дисплей іске қосылады.)

## Температураны реттеу

Тоңазытқыш температураны автоматты түрде реттейді. Дегенмен, егер қажет болса, температураны төмендегідей реттеңіз.

### Тоңазытқыш бөлімі

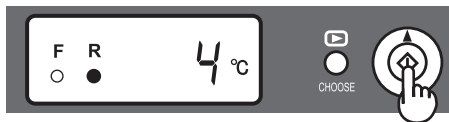
- ① “CHOOSE” (таңдау) түймешігін басып, R шамын жарық етіңіз.



- ② ▲ немесе ▼ түймешігін басып, температураны орнатыңыз.  
[ ▲ : көтеру, ▼ : төмендету ]



- ③ “◊” түймешігін басыңыз.



1°C қадамдарында 0°C және 6°C арасында реттеуге болады.

↑ 6°C	Тоңазытқыш артық салқындату қамтамасыз еткен кезде.
3°C	Қалыпты жұмыс істеуі үшін.
↓ 0°C	Тағамның жаңа дәмін сақтау үшін. Тоңазытқыш жеткілікті салқындату қамтамасыз етпеген кезде.

## Дезодорациялайтын құрал

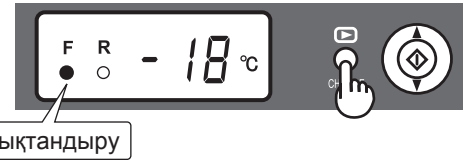
Бекітілген бірлік қолмен нұсқауды қажет етпейді, себебі ол тоңазытқыш қосылған кезде автоматты түрде іске қосылады.

## Жібіту

- Мұзды еріту жүйесі ерітудің толығымен автоматтандырылған энергияны үнемдеуші жүйесінен тұрады.
- Жібіту барысында жиналған су буландыру аппаратына жиналады, ол компрессордың қызуымен буға айналады.
- Буландыру аппараты тазалауды немесе қызмет көрсетуді қажет етпейді.

### Мұздатқыш бөлімі

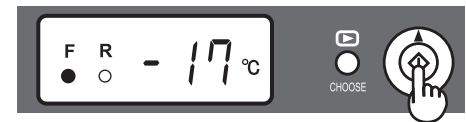
- ① “CHOOSE” (таңдау) түймешігін басып, F шамын жарық етіңіз.



- ② ▲ немесе ▼ түймешігін басып, температураны орнатыңыз.  
[ ▲ : көтеру, ▼ : төмендету ]



- ③ “◊” түймешігін басыңыз.



1°C қадамдарында -13°C және -21°C арасында реттеуге болады.

↑ -13°C	Қатқан тағам немесе балмұздақ сақталмаған кезде.
-18°C	Қалыпты қатыру үшін.
↓ -21°C	Мұзды жылдам дайындау немесе қатыру үшін.

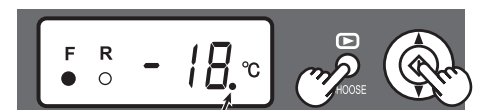
## Ашық есіктің дабылы

Егер тоңазытқыштың не мұздатқыштың есігі ашық қалса есік дабылы ойнайды.

- Есік дабылы есікті ашып кеткеннен кейін 1 минут және 1 минут өткен соң қайтадан ойнайды (әрбір жағдайда бір рет).
- Егер есік, мысалға, 3 минутқа ашық қалса, есік дабылы үздіксіз ойнайды

## Әрекеттен бас тарту үшін

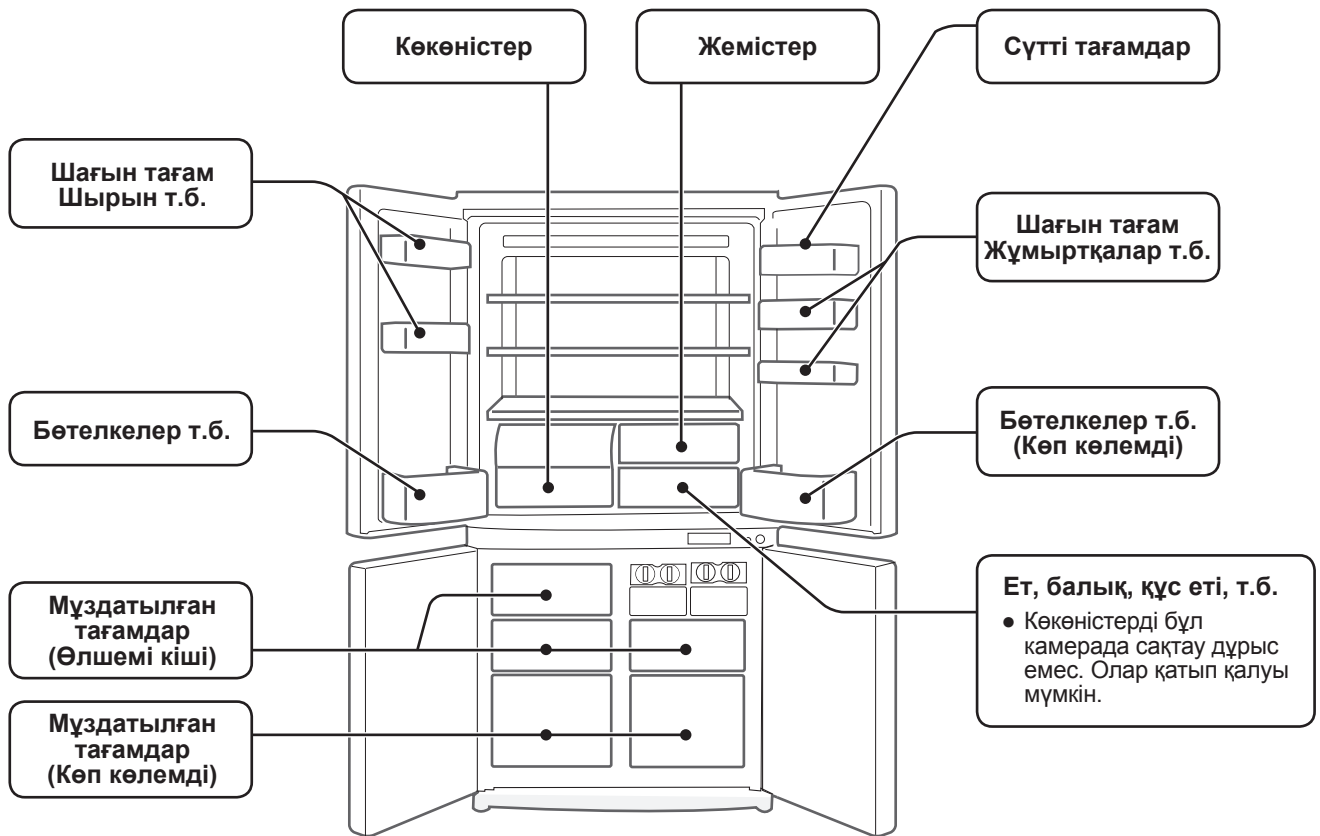
Таңдау пернесін баса отыра, 3 секунд не одан да көп уақыт “◊” пернесін басыңыз



Ол есік дабылының тоқтағандығын көрсетеді

Әрекетті қосар кезінде де осы әдіс болады.

# АЗЫҚ-ТҮЛІК САҚТАУ



Тоңазытқыш тағамның бұзылуын азайтады. Жылдам бұзылатын тағамның сақталу мерзімін едәуір көбейту үшін тағамның жаңа екеніне көз жеткізіңіз. Тағамды ұзағырақ сақтау туралы жалпы нұсқау мәліметі төменде берілген.

## Жемістер / көкөністер

Ылғалдың жоғалуын азайту үшін жемістер және көкөністер полиэтиленді материалға еркін оралуы тиіс, мысалы, оралған, пакетке қаттап салынған (тығыз емес) және көкөніс сақтайтын бөлімге немесе жеміс сақтайтын бөлімге салынған.

Көкөністі көп мөлшерде сақтасаңыз, шық пайда болуы мүмкін. Бұл жұмысына немесе жұмыс көрсеткіштеріне ешбір әсер етпейді. Шықты сүртіп тастау үшін құрғақ шүберекті пайдаланыңыз.

## Сүтті тағамдар және жұмыртқалар

- Көптеген сүтті тағамдардың қорабында күні белгіленген, онда өнімнің ұсынылған температурасы және сақтау мерзімі көрсетілген.
- Жұмыртқалар жұмыртқа ұстатқышта сақталуы тиіс.

## Ет / Балық / Құс еті

- Тәрелкеге немесе табаққа қойып, қағаз немесе полиэтиленмен қаптаңыз.
- Еттің, балықтың немесе құс етінің үлкен бөліктерін сөренің артқы жағына салыңыз.
- Даярланған барлық тағамдар жақсылап оралғанына немесе ауа кірмейтін ыдысқа салынғанына көз жеткізіңіз.

## ЕСКЕРТПЕ

- Салқындататын ауаның тиімді айналуы үшін тағамдарды сөреге бірқалыпты етіп орналастырыңыз.
- Ыстық тағамдарды тоңазытқышқа салудан бұрын салқындатыңыз. Ыстық тағамдарды тоңазытқышқа салсаңыз, камерадағы температура көтеріледі және тағамдар жылдам бұзылады.
- Салқындату ауасының айналым жүйесінің шығыс және кіріс саңылауларын тағамдармен, ыдыстармен немесе басқа заттармен бөгемеңіз, әйтпесе, тоңазытқыштағы тағамдар бірқалыпты салқындамайды.
- Тоңазытқыштың есігін мықтап жабыңыз.



← КІРІС  
→ ШЫҒЫС

Тағамды салқын ауа кіретін саңылаудың алдына қоймаңыз. Бұл тағамның қатып қалуына себеп болады.

## Жоғары деңгейде қатыру

- Азық-түлік жаңа болуы тиіс.
- Шағын азық-түлік жылдам қатуы үшін бір мезетте қатырыңыз.
- Тағам тиісті түрде бітелуі, мықтап жабылуы немесе қапталуы тиіс.
- Тағамды мұздатқыш камерасына бірқалыпты қойыңыз.
- Мұздатылатын тағамдарды есепке алу үшін пакеттер мен ыдыстарға жарлықтар жабыстырыңыз.

## ЕСКЕРТУ

- Электр тоғы соқпауы үшін алдымен тоңазытқышты ажыратыңыз.
- Тоңазытқыштың сыртқы корпусына немесе ішіне суды тікелей шашпаңыз. Бұл тоттануына және электр изоляциясының тозуына себеп болады.

## МАҢЫЗДЫ

Ішкі беткейдің немесе пластикалық бөлшектердің жарылуын болдырмау үшін мына кеңестерді орындаңыз.

- Пластикалық бөлшектерден тамақ майларын сүртіңіз.
- Кейбір тұрмыстық химиялық тазартқыш құралдар зақымдауы мүмкін, сондықтан тек ыдыс жуғыш сұйықтық қолданыңыз (сабынды су).
- Егер сұйылтылмаған тазартқыш құралын қолдансаңыз немесе сабынды суды сүртпесеңіз, пластикалық бөлшектер шытынауы мүмкін.

- 1 Камерадан және есіктен аксессуарларды, мысалы сөрелерді суырып алыңыз. Оларды ыдыс жуғыш сұйықтықпен жуыңыз, жақсылап шайыңыз және құрғатыңыз.
- 2 Тоңазытқыштың ішін сабынды ыдыс жуғыш сұйықта суланған шүберекпен тазалаңыз. Одан кейін, сабынды суды салқын сумен жуып кетіріңіз.
- 3 Тоңазытқыштың сыртын ластанған кезде жұмсақ шүберекпен сүртіңіз.
- 4 Магнитті есік контурын тіс щеткасымен және жылы сабынды ыдыс жуғыш сұйықтықпен тазалаңыз.
- 5 Басқару панелін құрғақ шүберекпен сүртіңіз.

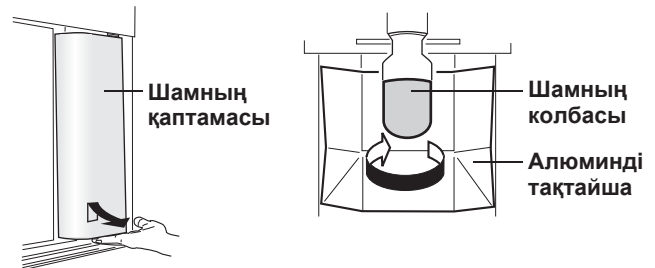
## ЕСКЕРТПЕ

- Тоңазытқышты зақымдамау үшін ауыр тазартқыш құралдарын немесе еріткіштерді қолданбаңыз (лак, бояу, жылтырататын ұнтақ, бензин, қайнаған су, т.б.).
- Егер электр қуаты ажыратылса, тоңазытқышты электр тоғына қосудан бұрын 5 минуттай күте тұрыңыз.
- Әйнек сөрелердің әрбіреуі шамамен 3 кг тартады. Камерадан алғанда немесе тасымалдаған кезде мықтап ұстаңыз.
- Азық-түлікті тоңазытқыштың ішіне лақтырмаңыз немесе ішкі қабырғасын соқпаңыз. Бұл ішкі беткейдің шытынауына себеп болады.

## Шам арқылы ауыстыру әдісі

1. Электр қуатынан зақымдалудың алдын алу үшін алдымен тоңазытқышты тоқтан өшіріңіз.
2. Фонарьдің қақпағын ашыңыз.
3. Осы типті шамды да ауыстырыңыз.

E14, MAX 15W шамы, 4 дана

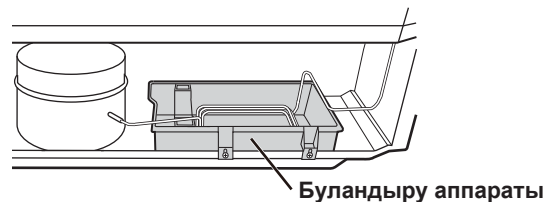


## САҚТЫҚ

Шамның айналасындағы алюминді тақтайшаны ұстамаңыз. Металдың қыры жарақатқа әкелуі мүмкін.

## Тасымалдаған кезде

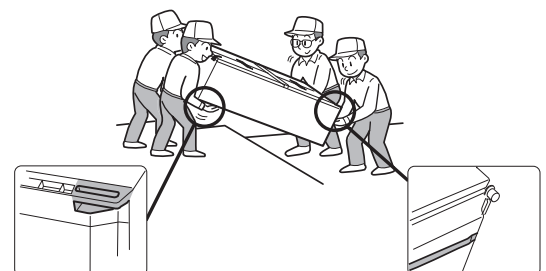
- Буландыру аппаратындағы суды сүртіп алыңыз. Суды сүртіп алудан бұрын, электр ашасын суырғаннан кейін 1 сағаттай күтіңіз, себебі тоңазыту айналымының жабдығы тым ыстық болады. (Буландыру аппараты тоңазытқыштың артқы жағында орналасқан.)



- Доңғалақшалар тоңазытқышты алдыға жылжытуға мүмкіндік береді.



- Тоңазытқышты артқы және астыңғы жағындағы тұтқаларын ұстап тасымалдаңыз.



## Тоңазытқышты ажырату

Егер тоңазытқышыңызды ұзақ уақытқа кеткен кезде ажыратсаңыз, барлық тағамды сыртқа шығарып, ішкі жағын жақсылап тазартыңыз. Қорек сыманының ашасын розеткадан суырыңыз және барлық есіктерді ашып қойыңыз.

# ҚЫЗМЕТ КӨРСЕТУШІНІ ШАҚЫРУДАН БҰРЫН

Қызметті шақырмастан бұрын, төмендегілерді тексеріңіз.

Ақаулық	Шешімі
Камераның сыртын ұстаған кезде ыстық болады.	Бұл қалыпты жағдай. Тамшының ағуын болдырмайтын камераның ішінде ыстық түтік бар.
Тоңазытқыштан шу шыққан кезде.	Тоңазытқыштан төмендегі дыбыстар шығуы ол қалыпты нәрсе. <ul style="list-style-type: none"><li>• Қосылған кезде компрессордан шыққан қатты шу --- Аздаған уақыттан кейін дыбыс жай шығады.</li><li>• Күніне бір рет компрессордан шығатын шу --- Автоматты жібіту үрдісі басталғаннан кейін шығатын жұмыс дыбысы.</li><li>• Ағып тұрған сұйықтықтың дыбысы (бүлкілдеген дыбыс, ызылдаған дыбыс) --- Түтіктер бойымен айналып тұрған салқындатқыштың дыбысы (дыбыс уақыт өткен сайын қаттырақ шығуы мүмкін).</li><li>• Шытынаған, шықырлаған немесе сықырлаған дыбыс --- Ішкі қабырғалардың және ішкі бөлшектердің салқындау барысында кеңеюінен және тарылуынан шыққан дыбыс.</li></ul>
Мұздату немесе тамшы тоңазытқыштың ішінде немесе сыртында пайда болады.	Бұл төмендегі жағдайлардың бірінде пайда болады. Қатуды дымқыл шүберекпен және тамшыны құрғақ шүберекпен сүртіңіз. <ul style="list-style-type: none"><li>• Қоршаған орта аса жоғары ылғалды болған кезде.</li><li>• Есік жиі ашылып, жабылған кезде.</li><li>• Құрамында көп ылғалы бар тағамдарды сақтаған кезде. (Оралуы тиіс.)</li></ul>
Мұздатқыш камерасындағы тағамдар қатып қалады.	<ul style="list-style-type: none"><li>• Тоңазытқыш “тоңазытқыш камерасының температурасын реттеу” тұтқасы 0°C-ге орнатылған күйінде ұзақ уақыт жұмыс істеді ме?</li><li>• Тоңазытқыш “мұздатқыш камерасының температурасын реттеу” тұтқасы -21°C-ге орнатылған күйінде ұзақ уақыт жұмыс істеді ме?</li><li>• “Тоңазытқыш камерасының температурасын реттеу” тұтқасы 6°C-ге орнатылса да айналадағы төмен температура қойылған тағамдарды қатыруы мүмкін.</li></ul>
Камерадан иіс шығады.	<ul style="list-style-type: none"><li>• Қатты иіс шығатын тағамдарды орап қою қажет.</li><li>• Дезодорациялайтын құрал барлық иістерді кетірмейді.</li></ul>

## ҚЫЗМЕТ КӨРСЕТУ ҚАЖЕТ БОЛСА

Жақын жердегі SHARP компаниясының қызмет орталығына хабарласыңыз.





## قبل استدعاء فني الصيانة

قبل استدعاء فني الصيانة، افحص النقاط التالية.

المشكلة	الحل
يكون الجزء الخارجي للكابينة ساخناً عند لمسه.	هذا طبيعي. يوجد أنبوب ساخن في الكابينة لمنع تكون الندى.
عندما يكون هناك صوتاً مزعجاً للثلاجة.	<p>من الطبيعي صدور الأصوات التالية من الثلاجة.</p> <ul style="list-style-type: none"> <li>• يصدر ضجيج عالي من الضاغط الهوائي (الكمبريسور) عند بدء التشغيل</li> <li>--- بعد فترة وجيزة يصبح الصوت هادئاً.</li> <li>• يصدر ضجيج عالي مرة في اليوم من الضاغط الهوائي (الكمبريسور)</li> <li>--- يصدر صوت التشغيل فوراً بعد عملية إزالة الثلج التلقائية.</li> <li>• صوت تدفق السائل (صوت قرقرة، صوت أزيز)</li> <li>--- صوت تدفق سائل التبريد في الأنابيب (قد يصبح الصوت أعلى من وقت لآخر).</li> <li>• صوت طقطقة أو طحن، صوت صرير</li> <li>--- يصدر الصوت عند تمدد وانكماش الجدران الداخلية والأجزاء الداخلية أثناء التبريد.</li> </ul>
يظهر جليد أو يتكون ندى داخل أو خارج الثلاجة.	<p>يمكن أن يحدث هذا في إحدى الحالات التالية. استعمل قطعة قماش مبللة لمسح الجليد وقطعة قماش جافة لمسح الندى.</p> <ul style="list-style-type: none"> <li>• عندما تكون الرطوبة المحيطة عالية.</li> <li>• عند فتح وإغلاق الباب بشكل متكرر.</li> <li>• عند تخزين طعام يحتوي على الكثير من الرطوبة. (يتطلب تغليفه.)</li> </ul>
يتجمد الطعام في حجرة الثلاجة.	<ul style="list-style-type: none"> <li>• هل تم تشغيل الثلاجة لمدة طويلة بينما تم تهيئة التحكم بدرجة حرارة الثلاجة على ٠° مئوية؟</li> <li>• هل تم تشغيل الثلاجة لمدة طويلة بينما تم تهيئة التحكم بدرجة حرارة الفريزر على -٢١° مئوية؟</li> <li>• قد يسبب انخفاض درجة الحرارة المحيطة إلى تجمد الطعام الموجود حتى إذا تم تهيئة التحكم بدرجة حرارة الثلاجة على ٦° مئوية.</li> </ul>
ظهور رائحة في الحجرة.	<ul style="list-style-type: none"> <li>• التخلص مطلوب للطعام قوي الرائحة.</li> <li>• يتعذر على وحدة إزالة الرائحة التخلص من جميع الروائح.</li> </ul>

إذا استمرت حاجتك للصيانة

راجع أقرب وكيل صيانة معتمد لديك من قبل شارب SHARP.

## تحذير

- افصل قابس الثلجة أولاً لتفادي حدوث صدمة كهربائية.
- لا تعتمد إلى رش الماء بشكل مباشر على الكابينة الخارجية أو الداخلية. يمكن لهذا العمل أن يتسبب في تكون الصدأ وتلف العزل الكهربائي.

## هام

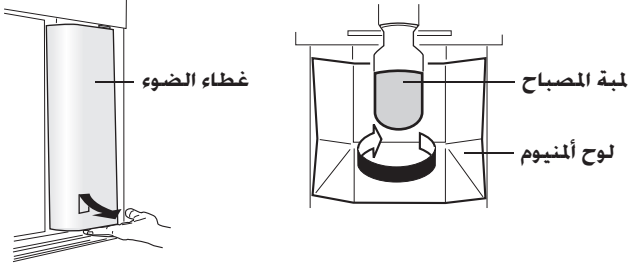
لتفادي تشققات السطوح الداخلية والمكونات البلاستيكية، اتبع التوجيهات التالية.

- امسح أي من زيوت الطعام الملتصقة بالمكونات البلاستيكية.
- قد تتسبب بعض الكيماويات المستخدمة في المنازل في حدوث ضرر، لذا لا تستعمل إلا سائل غسيل الأطباق المخفف (محلول صابون).
- إذا استعملت مادة تنظيف غير مخففة أو لم تمسح محلول الصابون جيداً، يمكن للأجزاء البلاستيكية أن تتشقق.

## طريقة استبدال لمبة المصباح

1. افصل قابس الثلجة أولاً لتفادي حدوث صدمة كهربائية.
2. انزع غطاء الضوء.
3. استبدل لمبة المصباح بلمبة من نفس النوع.

غطاء المصباح E14، ٥ وات كحد أقصى، ٤ قطع

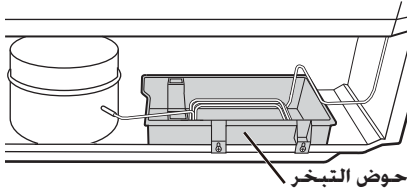


## تحذير

- لا تلمس لوح الألمنيوم الموجود حول المصباح.
- قد يتسبب سطح حافة المعدن في وقوع إصابة.

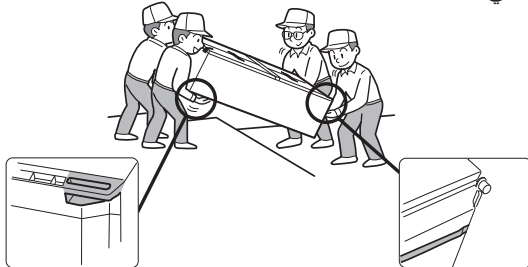
## عند النقل

- امسح الماء الموجود في حوض التبخر. قبل مسح الماء، انتظر لأكثر من ساعة بعد سحب القابس لأن تجهيزات دورة التبريد ساخنة للغاية. (حوض التبخر موجود على الجانب الخلفي للمنتج.)



- تسمح العجلات بحركة الثلجة للخلف وللأمام.

- قم بحمل الثلجة بالإمساك بالمقابض الموجودة في الجانب الخلفي والسفلي.



## إيقاف تشغيل الثلجة الخاصة بك

- إذا أوقفت تشغيل الثلجة الخاصة بك عند مغادرة المنزل لفترة طويلة، قم بتفريغها من الطعام، وقم بتنظيف الداخل جيداً. انزع قابس سلك التيار عن مقبس التيار واركب كلا البابين مفتوحين.

1 انزع الكماليات مثل الرفوف من الكابينة والباب. اغسل هذه الأجزاء بماء دافئ مع صابون غسيل الأطباق؛ واشطفها بماء نظيف وجفها.

2 قم بتنظيف الداخل بقطعة قماش مبللة بماء دافئ مع صابون غسيل الأطباق. بعد ذلك، استعمل الماء البارد لإزالة محلول الصابون تماماً.

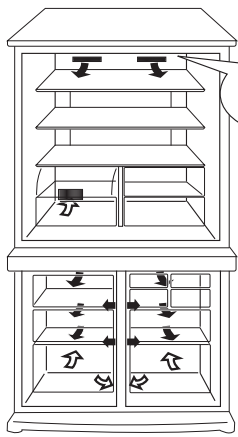
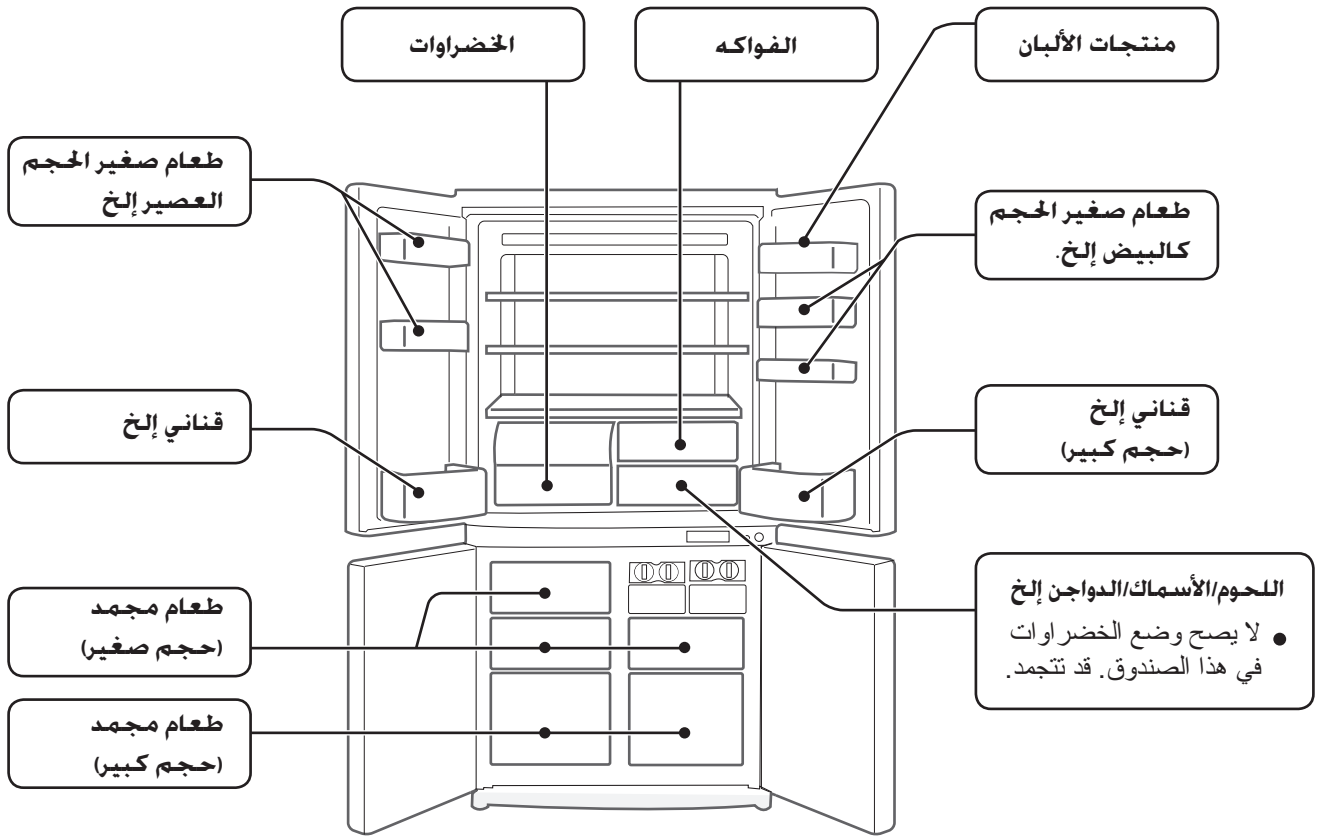
3 امسح خارج الثلجة بقطعة قماش ناعمة كلما اتسخت.

4 قم بتنظيف المثبت المغناطيسي للباب باستعمال فرشاة أسنان وماء دافئ مع صابون غسيل الأطباق.

5 امسح لوحة التحكم بقطعة قماش جافة.

## ملاحظة

- لتفادي تلف الثلجة الخاصة بك، لا تستعمل منظفات أو مذيبيات عالية الفعالية (اللكر، الطلاء، مساحيق التلميع، البنزين، الماء المغلي إلخ).
- إذا تم فصل إمداد التيار، يرجى الانتظار لمدة خمس دقائق على الأقل قبل إعادة توصيل التيار.
- الرفوف الزجاجية تزن ما يقرب من 3 كجم لكل رف. أمسك بإحكام عند نزعهم من الكابينة أو حملهم.
- لا تسقط أجساماً داخل الثلجة أو تطرق الجدار الداخلي بقوة. قد يسبب هذا تشققاً للسطح الداخلي.



دخول ←  
خروج →

## ملاحظة

- ضع الطعام على الرفوف بشكل متساوي للسماح لهواء التبريد بالدوران بكفاءة.
- ينبغي تبريد الطعام الساخن قبل تخزينه. إن تخزين الطعام وهو ساخن يرفع درجة الحرارة في الوحدة ويزيد خطر تلف الطعام.
- لا تتسبب في إعاقة مخرج ومدخل دورة الهواء البارد الدائرية بوضع الطعام أو الحاويات في طريقها؛ لنلا يؤدي ذلك إلى التبريد غير المتساوي للطعام في الثلاجة بأكملها.
- احتفظ بالباب مغلقاً بإحكام.

لا تضع الطعام أمام مخرج الهواء البارد مباشرة. يمكن لهذا أن يؤدي إلى تجمد الطعام.

## لتحقيق أفضل نتائج عند التجميد

- ينبغي أن يكون الطعام من نوعية طازجة.
- لتجميد الطعام بسرعة، قم بتجميد كميات صغيرة من الطعام في المرة الواحدة.
- يجب تغليف الطعام بإحكام، يغلّف بإحكام أو يغطى.
- قم بتوزيع الطعام في الفريزر بالتساوي.
- قم بتحديد أسماء للأكياس أو الحاويات حتى تكون على علم بما لديك من طعام مجمد.

التبريد يقلل معدل تلف الطعام. لإطالة عمر المنتجات الغذائية سريعة التلف، تأكد من شراء الطعام الذي تكون نوعيته طازجة تمامًا. وفيما يلي نقدم توجيهات عامة وذلك للمساعدة في حفظ الطعام مدة أطول.

## الفواكه/الخضراوات

لتقليل فقدان الرطوبة، يجب حفظ الفواكه والخضراوات في مواد بلاستيكية مغلقة بدون إحكامها مثل مغلقات، أكياس التغليف (لا تقم بإغلاقها بإحكام) وبقم بوضعها في قسم حفظ الخضراوات أو صندوق الفواكه. إذا قمت بحفظ العديد من الخضراوات، فقد يتشكل الندى. لا يؤثر هذا على التشغيل أو الأداء. استعمل قطعة قماش جافة لإزالة الندى.

## منتجات الألبان والبيض

- معظم منتجات الألبان يكتب على عبواتها من الخارج تاريخ صلاحية الاستعمال الذي يبين درجة الحرارة وعمر المنتجات الموصى بها.
- يجب تخزين البيض في حافظة البيض.

## اللحوم/الأسمك/الدواجن

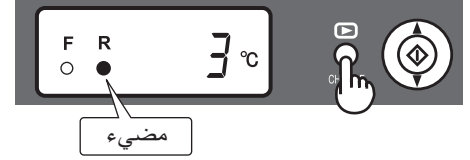
- ضعها على طبق أو إناء وقم بتغطيتها بالورق أو لفائف بلاستيكية.
- للقطع الكبيرة من اللحم أو السمك أو الدواجن، قم بوضعها في الجانب الخلفي من الرفوف.
- تأكد من لف جميع الطعام المطبوخ لفًا محكمًا أو ضعه في حاوية معزولة هوائيًا.

## شاشة للتحكم بدرجة الحرارة

تتحكم الثلاجة بدرجة الحرارة الخاصة بها تلقائيًا. على أي حال، اضبط درجة الحرارة على النحو التالي إذا دعت الحاجة.

### حجيرة الثلاجة

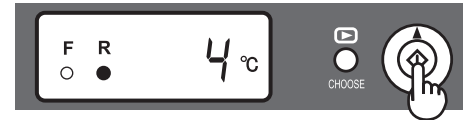
① اضغط الزر "اختيار" CHOOSE لإضاءة المصباح R.



② اضغط الزر ▲ أو الزر ▼ واختر درجة الحرارة التي تريدها.



③ اضغط الزر "⏏" .



قابلة للضبط بين صفر° مئوية و 6° مئوية بخطوات كل منها 1° مئوية.

عندما تقوم الثلاجة بتزويد تبريد زائد.	6°C
للتشغيل الطبيعي.	3°C
للحفاظ على نكهة الطعام طازجة. عندما لا تقوم الثلاجة بتزويد تبريد كافٍ.	0°C

### حجيرة الفريزر

① اضغط الزر "اختيار" CHOOSE لإضاءة المصباح F.

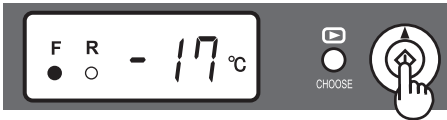


② اضغط الزر ▲ أو الزر ▼ واختر درجة الحرارة التي تريدها.

[ ▲ : زيادة، ▼ : خفض ]



③ اضغط الزر "⏏" .



قابلة للضبط بين -13° مئوية و -21° مئوية بخطوات كل منها 1° مئوية.

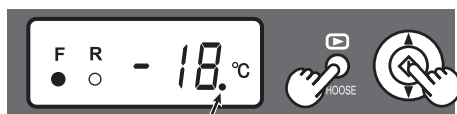
عند عدم تخزين طعام مجمد أو آيس كريم.	-13°C
للتجميد الطبيعي.	-18°C
لصنع ثلج بسرعة أو التجميد السريع.	-21°C

### منبه الباب

- عند ترك باب الثلاجة أو الفريزر مفتوحًا، يصدر منبه الباب صوتًا.
- يصدر صوت منبه الباب بعد دقيقة واحدة من فتح الباب ومرة أخرى بعد دقيقة واحدة (مرة في كل حالة).
- إذا تم ترك الباب مفتوحًا لمدة 3 دقائق تقريبًا، يصدر صوت المنبه باستمرار.

### لإلغاء التشغيل

اضغط الزر "⏏" باستمرار لمدة 3 ثوانٍ أو أكثر أثناء إبقاء الزر "اختيار" CHOOSE مضغوطًا للأسفل.



يبين توقف منبه الباب.

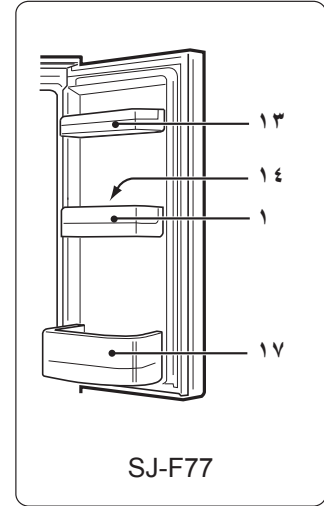
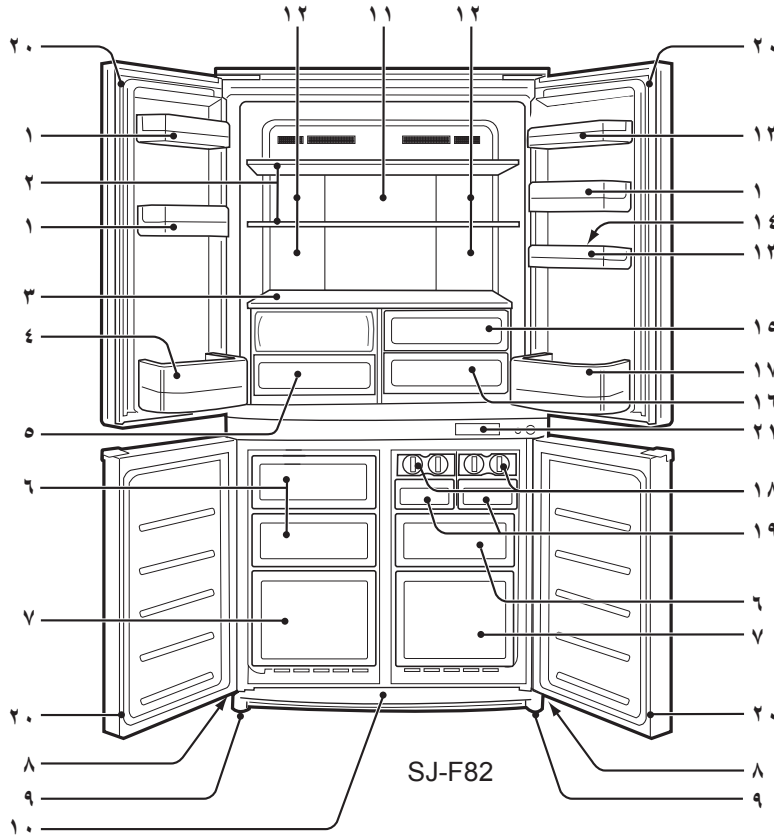
تطبق نفس الطريقة عند إعادة بدء التشغيل.

### وحدة إزالة الرائحة

وحدة داخلية لا تتطلب تشغيلًا يدويًا نظرًا لبدء تشغيلها تلقائيًا عندما يتم تشغيل الثلاجة.

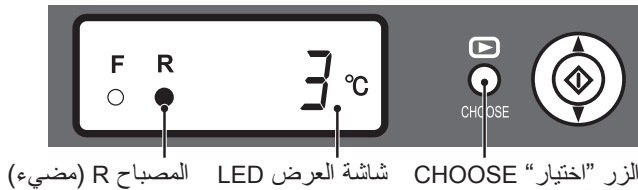
### إزالة الجليد

- نظام إزالة الجليد يتضمن نظام إزالة جليد تلقائي بالكامل بفضل نظام فريد لتوفير الطاقة.
- أنتجمع مياه الجليد في حوض التبخر، حيث يتم تبخيرها بحرارة الضاغط الهوائي (الكمبريسور)، إلخ.
- لا يتطلب حوض التبخر تنظيف أو صيانة.



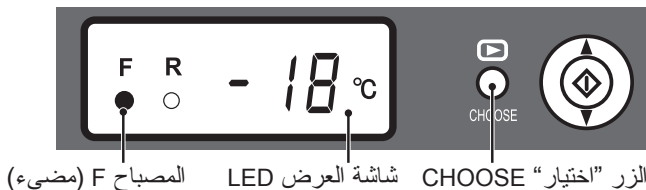
١٩. صندوق حفظ الثلج (قطعتان)  
لتفادي إتلاف صندوق حفظ الثلج، لا تقم بصنع ثلج في صندوق حفظ الثلج أو بإضافة زيت بداخله.
٢٠. المثبتات المغناطيسية للباب (٤ قطع)  
٢١. لوحة التحكم
- يتم عرض درجة الحرارة المهيئة مسبقاً. (وهي ليست درجة الحرارة الفعلية في الحجرة).
  - يمكن تغيير شاشة عرض حجرة الثلاجة وحجرة الفريزر بواسطة الضغط على الزر "اختيار" CHOOSE.
- درجة الحرارة المهيئة مسبقاً لحجرة الثلاجة

١. جيوب الباب (٣ قطع)  
٢. رفوف الثلاجة  
٣. رف  
٤. جيب القناني (الأيسر)  
٥. قسم حفظ الخضروات  
٦. صناديق الفريزر (الصغير) (٣ قطع)  
٧. صناديق الفريزر (الكبير) (قطعتان)  
٨. عجلات (٤ قطع)  
٩. أقدام قابلة للضبط (قطعتان)  
١٠. غطاء القدم  
١١. لوح ألنيوم
- يتم تبريد اللوحة من الخلف، وبالتالي يتم تبريد حجرة الثلاجة بشكل غير مباشر. بهذه الطريقة، يتم تبريد الطعام برفق بدون تعريضه لدفق هواء بارد.



الزر "اختيار" CHOOSE شاشة العرض LED المصباح R (مضيء)  
يشير إلى "الثلاجة" Refrigerator.

درجة الحرارة المهيئة مسبقاً لحجرة الفريزر

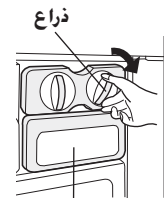
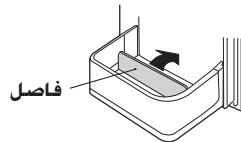


الزر "اختيار" CHOOSE شاشة العرض LED المصباح F (مضيء)  
يشير إلى "الفريزر" Freezer.

### ملاحظة

سيتوقف تشغيل المصباح LED وشاشة عرض درجة الحرارة عند عدم القيام بأية عملية تشغيل لمدة دقيقة واحدة. (عند الضغط على أحد الزرين، يضيء مرة أخرى.)

١٢. ضوء  
١٣. جيوب الاستخدام العام (١ محفظه، SJ-F82 ; ٢ محفظه) SJ-F77)  
١٤. حافظه البيض  
١٥. صندوق الفواكه  
١٦. صندوق المواد الطازجة  
١٧. جيب القناني (الأيمن)  
لتخزين القناني الكبيرة، قم بتحريك الفاصل بالكامل إلى الخلف.
١٨. صانع مكعبات الثلج (قطعتان)
- لا تقم بملأ الصينية أكثر من اللازم؛ وإلا سيتم تجميد مكعبات الثلج مع بعض عند التجميد.
  - عندما تصبح مكعبات الثلج جاهزة، أدر الذراع باتجاه عقارب الساعة لتفريغ الثلج في صندوق حفظ الثلج.

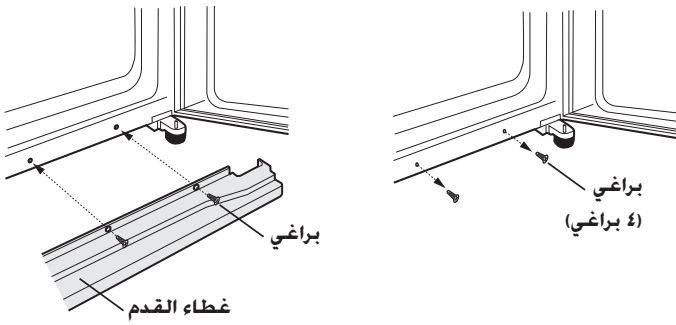


صندوق حفظ الثلج

## تحذير

لا تعتمد إلى تركيب الثلاجة في موقع رطب أو مبلل حيث قد يتسبب هذا في تلف العازل وحدوث تسرب. قد تتكثف الرطوبة أيضًا على الكابينة الخارجية للثلاجة متسببة في صدئها.

قم بنزع البراغي الأربعة للجزء السفلي من الكابينة، ثم قم بضبط غطاء القدم (مرفق داخل حجيرة الثلاجة) باستعمال البراغي الأربعة التي تم نزعها.

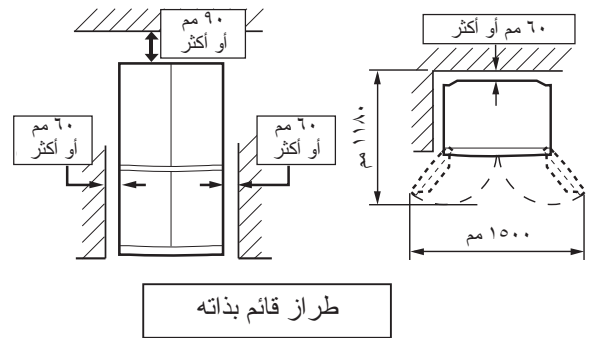


## ملاحظة

- قم بتحديد موضع الثلاجة الخاصة بك بحيث يكون من السهل الوصول إلى القابس.
- احتفظ بالثلاجة الخاصة بك بعيداً عن ضوء الشمس المباشر.
- لا تقم بوضعها بالقرب من الأجهزة المولدة للحرارة.
- لا تقم بوضعها على الأرض مباشرة. ضعها على قاعدة مناسبة.
- لإدخال قابس التيار عند فتح الباب، يصدر صوت منبّه الباب ولكن هذا طبيعي. يتوقف هذا الصوت عند إغلاق الباب.

احتفظ بمسافة تهوية مناسبة حول الثلاجة.

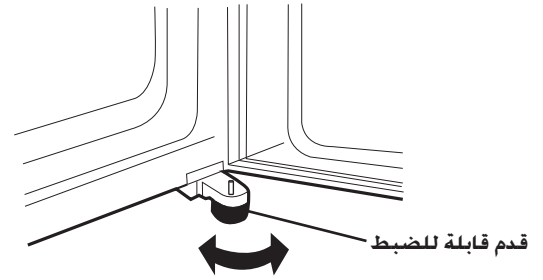
- يبين الشكل الحد الأدنى للمسافة المطلوبة لتركيب الثلاجة. يتم الوصول إلى ظروف قياس استهلاك التيار في أبعاد مسافة مختلفة.
- بالحفاظ على مسافة أكبر، يمكن تشغيل الثلاجة بمقدار أقل في استهلاك التيار.
- إذا تم استعمال الثلاجة في حيز أصغر من الأبعاد الموضحة في الشكل أدناه، فقد يتسبب ذلك في ارتفاع درجة الحرارة وصدور صوت ضوضاء عالٍ وحدوث فشل في الوحدة.



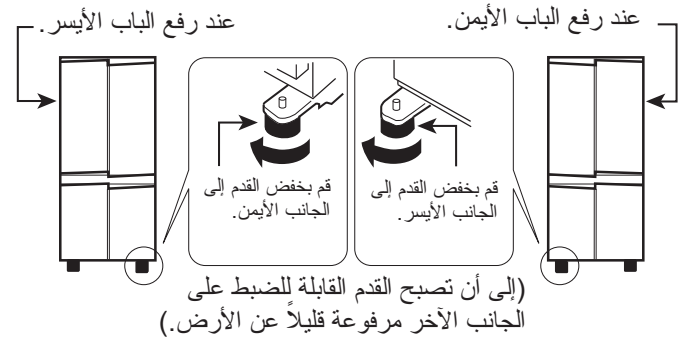
## قبل استعمال الثلاجة الخاصة بك

قم بتنظيف الأجزاء الداخلية بقطعة قماش مبللة بماء دافئ. إذا تم استعمال ماء بصابون، امسحه جيداً بالماء.

استعمل القدمين الأماميتين القابلتين للضبط، للتأكد من وضع الثلاجة بثبات واستقرارها على الأرض.



عند عدم محاذاة البابين الأيمن والأيسر بشكل صحيح، قم بالضبط باستعمال الأقدام القابلة للضبط.



نتقدم إليك بجزيل الشكر لشرائك هذا المنتج من شارب SHARP. قبل استعمال ثلاجة شارب SHARP الخاصة بك، يرجى قراءة دليل التشغيل الذي بين يديك لضمان استفادتك من ثلاجتك الجديدة إلى أقصى حد ممكن. هذه الثلاجة مخصصة للاستعمال المنزلي فقط بدرجة حرارة محيطية تتراوح ما بين +5°م و +4°م. يجب عدم تعريض الثلاجة لدرجات حرارة تصل إلى -10°م أو أقل لفترة طويلة.

## تحذير

- لا تقم بتخزين المواد سريعة التطاير والقابلة للاشتعال مثل الإيثانول والبنزين وغاز البروبان وعلب البخاخات والعناصر اللاصقة والكحول النقي إلخ. هذه المواد قابلة للانفجار.
- قد يؤدي الغبار المتجمع في قابس التيار إلى نشوب حريق. اعمد إلى مسحه بحذر.
- لا تحاول تغيير أو إعادة تشكيل هذه الثلاجة. فقد يتسبب هذا في نشوب حريق أو صدمة كهربائية أو إلى حدوث إصابة.
- تأكد من أن الثلاجة لا تشكل خطراً على الأطفال أثناء تخزينها للتخلص منها. (مثال، انزع المثبتات المغناطيسية للباب لتجنب انحباس الأطفال داخلها).
- ينبغي التخلص من هذه الثلاجة بشكل صحيح. قم بإرسال الثلاجة إلى مصنع إعادة التصنيع الخاص بالغازات العازلة المنبعثة القابلة للاشتعال.

## تنبيه

- لا تعتمد إلى لمس وحدة الضاغط أو الأجزاء المحيطة به، حيث تصبغ ساخنة جداً أثناء التشغيل وقد تتسبب الحواف المعدنية في حدوث إصابة.
- لا تقم بلمس الطعام أو الحاويات المعدنية الموجودة في حجرة الفريزر ببديك المبلتين. قد يؤدي ذلك إلى الإصابة بنقرحات.
- لا تستعمل سلك ممتد أو مقبس محول.
- لا تضع المشروبات الزجاجية والمعلبة في الفريزر لأنها قد تتشقق عندما تتجمد.
- تأكد من أن سلك التيار لم يتلف أثناء التركيب أو النقل. إذا كان قابس أو سلك التيار مرتحيان، لا تقم بإدخال قابس التيار. هناك خطورة التعرض لصدمة كهربائية أو نشوب حريق.
- أفضل مصدر إمداد التيار الكهربائي من المأخذ الرئيسي بواسطة نزع قابس المأخذ الرئيسي من مقبس إمداد التيار الكهربائي. لا تنزعه بسحب سلك المأخذ الرئيسي. قد يتسبب هذا في حدوث صدمة كهربائية أو نشوب حريق.
- يحتوي نظام التبريد الموجود في الخلفية وداخل الثلاجة على سائل تبريد. لا تسمح لأي من الأجسام الحادة بلامسة نظام التبريد.
- إذا أصاب التلف سلك الإمداد المرن، يجب استبداله من قبل وكيل صيانة معتمد من قبل شارب SHARP حيث أن السلك المطلوب هو من نوع خاص.
- في حالة حدوث تسرب للغاز، قم بتهوية المنطقة بفتح النافذة، إلخ. لا تعتمد إلى لمس الثلاجة أو مخرج التيار.
- لا تضع أجساماً تحتوي على سوائل أو أجسام غير مستقرة فوق الثلاجة.
- هذه الثلاجة غير مصممة للاستعمال من قبل الأشخاص (بمن فيهم الأطفال) ممن يعانون من نقص بالقوى الجسمانية أو الحسية أو القدرات العقلية أو نقص في الخبرة والمعرفة، إلا إذا كان هناك رقابة عليهم أو يتم إرشادهم حول استعمال الثلاجة من قبل شخص مسؤول عن سلامتهم.
- يجب مراقبة الأطفال الصغار لضمان عدم العبث بالثلاجة.

## قبل از درخواست تعمیر

قبل از درخواست تعمیر، نکات زیر را بررسی کنید.

مشکل	راه حل
بخش خارجی کابین هنگام لمس کردن داغ است.	این مسئله طبیعی است. لوله داغ داخل کابین قرار دارد تا از تولید شبنم جلوگیری شود.
هنگامی که سروصدای یخچال وجود دارد.	تولید صداهای زیر برای یخچال طبیعی است. <ul style="list-style-type: none"> <li>• صدای بلند ایجاد شده توسط کمپرسور در هنگام شروع کارکرد --- پس از مدتی این صدا کمتر می شود.</li> <li>• صدای بلند ایجاد شده برای یک بار در روز توسط کمپرسور --- صدای کارکرد ایجاد شده بلافاصله پس از عملیات برفک زدایی خودکار.</li> <li>• صدای جاری شدن سیال (صدای شرشر، صدای فش فش)</li> <li>• --- صدای مبرد جاری در لوله ها (این صدا ممکن است گاهی اوقات بلندتر شود).</li> <li>• صدای ترک خوردن یا خرد شدن</li> <li>• --- صدای ایجاد شده به واسطه انبساط و انقباض دیواره های داخلی و قطعات داخلی در حین سرمایش.</li> </ul>
برفک زدگی یا تولید شبنم در داخل یا خارج یخچال رخ می دهد.	این امر ممکن است در موارد زیر روی دهد. از یک پارچه مرطوب برای پاک کردن برفک و یک پارچه خشک برای پاک کردن قطرات شبنم استفاده کنید. <ul style="list-style-type: none"> <li>• هنگامی که رطوبت محیط بالاست.</li> <li>• هنگامی که درب به دفعات باز و بسته می شود.</li> <li>• هنگامی که مواد غذایی حاوی رطوبت زیاد داخل یخچال قرار داده می شوند. (لفاف بندی مورد نیاز است.)</li> </ul>
مواد غذایی داخل قسمت یخچال یخ می زنند.	<ul style="list-style-type: none"> <li>• آیا یخچال درحالی که کنترل دمای یخچال روی ۰ درجه سانتیگراد تنظیم شده است برای مدت طولانی استفاده گردیده است؟</li> <li>• آیا یخچال درحالی که کنترل دمای فریزر روی ۲۱- درجه سانتیگراد تنظیم شده است برای مدت طولانی استفاده گردیده است؟</li> <li>• دمای پایین محیط ممکن است باعث شود مواد غذایی قرار داده شده در داخل یخچال یخ بزنند، حتی اگر کنترل دمای یخچال روی ۶ درجه سانتیگراد تنظیم شده باشد.</li> </ul>
داخل قسمت یخچال یا فریزر بو می دهد.	<ul style="list-style-type: none"> <li>• لفاف بندی برای مواد غذایی که بوی تند دارند، مورد نیاز است.</li> <li>• واحد بوزدا نمی تواند تمام بو را رفع کند.</li> </ul>

**اگر هنوز به تعمیر نیاز دارید**

به نزدیکترین نمایندگی سرویس مورد تأیید شارپ مراجعه فرمایید.



## هشدار

- برای جلوگیری از خطر برق گرفتگی، ابتدا دوشاخه برق یخچال را از پریز بیرون بکشید.
- آب را مستقیماً روی کابین خارجی یا فضای داخلی نپاشید. این کار می تواند منجر به زنگ زدگی و خراب شدن عایق بندی الکتریکی شود.

## مهم

برای جلوگیری از ترک خوردن سطوح داخلی و قطعات پلاستیکی، این توصیه ها را رعایت نمایید.

- هرگونه چربی مواد غذایی چسبیده به قطعات پلاستیکی را تمیز کنید.
- بعضی از مواد شیمیایی خانگی می توانند باعث وارد آمدن آسیب شوند، بنابراین فقط از مایع شستشوی رقیق (آب صابون) استفاده کنید.
- اگر از ماده شوینده رقیق نشده استفاده شده یا آب صابون کاملاً پاک نشود، ممکن است ترک خوردگی قطعات پلاستیکی روی دهد.

۱ لوازم جانبی مانند قفسه ها را از کابین و درب جدا کنید. آنها را در آب گرم حاوی مقداری مایع ظرفشویی بشویید؛ در آب تمیز آبکشی نموده و خشک کنید.

۲ قسمت داخل را با یک پارچه خیس شده در آب گرم حاوی مقداری مایع ظرفشویی، تمیز کنید. سپس از آب سرد برای تمیز کردن آب صابون استفاده نمایید.

۳ قسمت های خارجی را در صورت کثیف شدن با یک پارچه نرم تمیز کنید.

۴ نوار درزگیر مغناطیسی درب را با یک مسواک و آب گرم حاوی مقداری مایع ظرفشویی، تمیز کنید.

۵ صفحه کنترل را با پارچه خشک تمیز کنید.

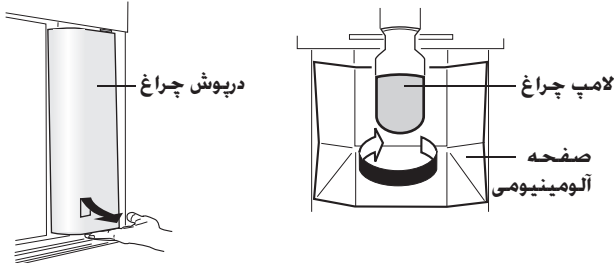
## تذکر

- برای جلوگیری از وارد آمدن آسیب به یخچال، از بکاربردن حلال ها و مواد تمیزکننده مخصوص کارهای سنگین (لاک، رنگ، پودر جلا، بنزین، آب جوش و غیره) خودداری کنید.
- در صورت قطع شدن منبع تغذیه برق، لطفاً قبل از وصل کردن مجدد برق حداقل ۵ دقیقه صبر کنید.
- وزن هریک از قفسه های شیشه ای حدود ۳ کیلوگرم است. هنگام بیرون آوردن آنها از داخل کابین یا حمل کردن، آنها را محکم نگه دارید.
- از انداختن اشیاء به داخل یخچال یا ضربه زدن به دیواره داخلی آن خودداری کنید. این کار می تواند باعث ترک خوردن سطح داخلی گردد.

## روش تعویض لامپ چراغ

۱. برای جلوگیری از برق گرفتگی، ابتدا دوشاخه یخچال را از پریز بکشید.
۲. درپوش چراغ را بردارید.
۳. لامپ چراغ را با لامپی از نوع مشابه تعویض کنید.

ظرفیت لامپ E14، حداکثر ۱۵ وات، ۴ عدد

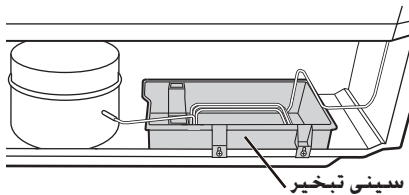


## احتیاط

از لمس کردن صفحه آلومینیومی اطراف چراغ بپرهیزید. سطح کناری فلز ممکن است سبب آسیبدیدگی شود.

## هنگام حمل و نقل

- آب موجود در سینی تبخیر را خشک کنید. قبل از خشک کردن آب، حداقل ۱ ساعت بعد از بیرون کشیدن دوشاخه برق صبر کنید زیرا تجهیزات سیکل تبرید بسیار داغ میباشند. (سینی تبخیر در پشت دستگاه واقع شده است.)

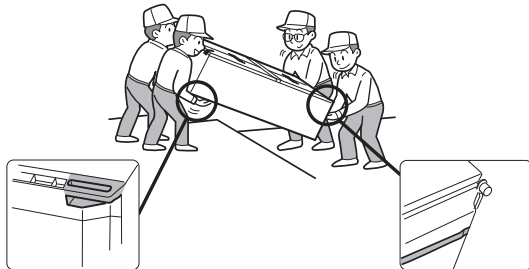


- چرخ های کوچک، امکان حرکت دادن یخچال را فراهم می آورند.

چرخ ها

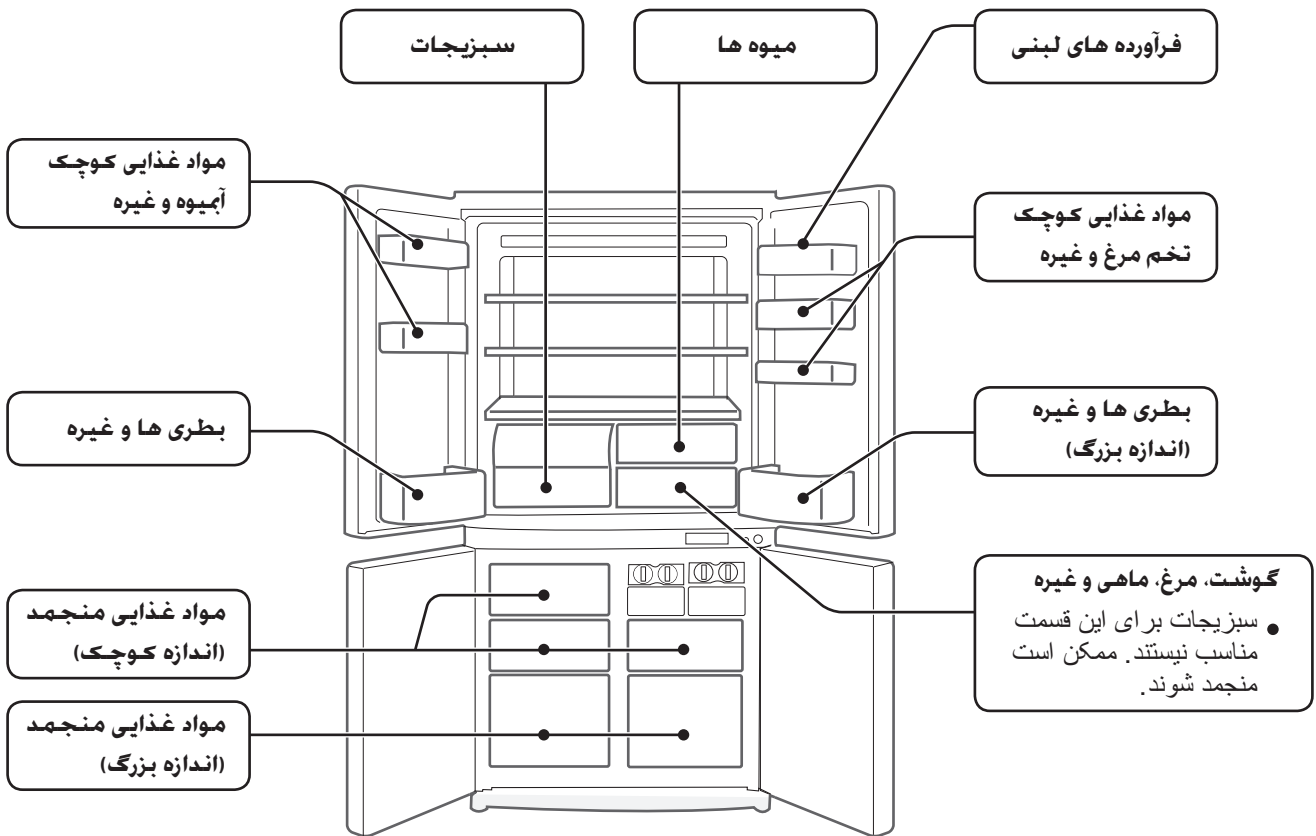


- یخچال را با ننگه داشتن دسته های واقع در پشت و زیر آن حمل کنید.

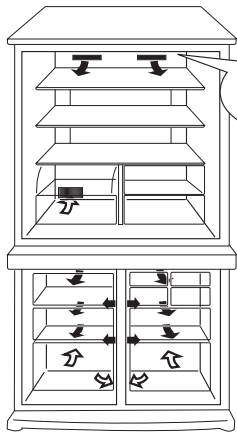


## خاموش کردن یخچال

هنگامی که برای مدت زمان طولانی محل را ترک می کنید، اگر یخچال خود را خاموش می کنید، تمام مواد غذایی موجود در آن را خارج کرده و فضای داخلی آن را بطور کامل تمیز کنید. دوشاخه برق را از پریز بیرون کشیده و تمام درها را باز بگذارید.



## تذکر



- مواد غذایی را بصورت یکنواخت روی قفسه ها قرار دهید تا امکان گردش مؤثر هوای خنک کننده وجود داشته باشد.
- غذاهای داغ باید قبل از قرار گرفتن در یخچال، خنک شوند. قرار دادن غذاهای داغ باعث افزایش دمای داخل دستگاه شده و خطر خراب شدن مواد غذایی را افزایش می دهد.
- ورودی و خروجی مدار گردش هوای خنک را با مواد غذایی یا ظروف مسدود نکنید؛ در غیر اینصورت غذاها بصورت یکنواخت در کل یخچال خنک نخواهند شد.
- درب یخچال را کاملاً ببندید.

مواد غذایی را مستقیماً جلوی خروجی هوای سرد قرار ندهید. این کار می تواند باعث یخ زدن غذا شود.

## برای بهترین اجماد

- مواد غذایی باید تازه باشند.
- هر بار مقدار کمی مواد غذایی را منجمد کنید تا به سرعت منجمد شوند.
- مواد غذایی باید بطور مناسب درزبندی شده، کاملاً هوابندی گردیده یا پوشانده شوند.
- مواد غذایی را بطور یکنواخت داخل فریزر قرار دهید.
- کیسه ها یا ظروف را برجسته گذاری کنید تا فهرستی از مواد غذایی منجمد در اختیار داشته باشید.

عمل سرمایش باعث کاهش سرعت خراب شدن مواد غذایی می شود. برای به حداقل رساندن زمان نگهداری مواد غذایی فاسد شندی، مطمئن شوید که ماده غذایی تا حد امکان تازه است. موارد زیر، راهنمایی عمومی برای کمک به ارتقای نگهداری طولانی تر مواد غذایی می باشد.

## میوه / سبزیجات

برای به حداقل رساندن اتلاف رطوبت، میوه و سبزیجات بایستی بصورت آزاد در یک ماده پلاستیکی مانند لفافه یا کیسه (درزهای آن را نبندید) قرار داده شده و در قسمت تازه نگهدارنده سبزیجات یا محفظه میوه قرار داده شوند.

اگر مقدار زیادی سبزیجات نگهداری کنید، ممکن است شبنم تشکیل شود. این مسئله هیچ تاثیری بر کارکرد یا کارایی دستگاه ندارد. از یک پارچه خشک برای زودن شبنم استفاده کنید.

## تخم مرغ و فرآورده های لبنی

- اغلب فرآورده های لبنی دارای تاریخ مصرف بر روی بخش خارجی بسته بندی خود هستند که زمان نگهداری و دمای توصیه شده محصول مورد نظر را نشان می دهد.
- تخم مرغ ها باید در نگهدارنده تخم مرغ نگهداری شوند.

## گوشت / مرغ / ماهی

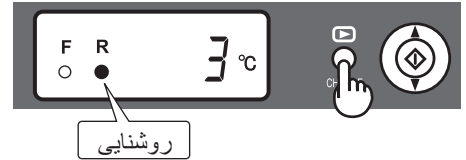
- آنها را در یک بشقاب یا دیس قرار داده و روی آن را با لفافه کاغذی یا پلاستیکی بپوشانید.
- در مورد قطعات بزرگتر گوشت، مرغ یا ماهی، آنها را در عقب قفسه ها قرار دهید.
- مطمئن شوید که تمام مواد غذایی پخته شده بطور کامل لفافه بندی شده یا در یک ظرف غیرقابل نفوذ توسط هوا قرار داده شده اند.

## کنترل دم

این یخچال دمای خود را بصورت خودکار کنترل می کند. اما در صورت نیاز، دما را بصورت زیر تنظیم کنید.

### قسمت یخچال

① دکمه CHOOSE را فشار دهید و چراغ R را روشن کنید.

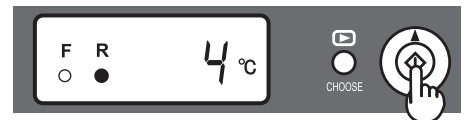


② دمای دلخواه را با فشردن دکمه ▲ یا ▼ انتخاب کنید.

[▲ : افزایش، ▼ : کاهش]

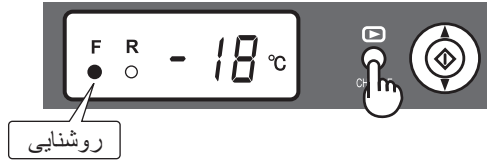


③ دکمه "⬇️" را فشار دهید.



### قسمت فریزر

① دکمه CHOOSE را فشار دهید و چراغ F را روشن کنید.

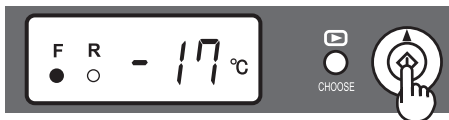


② دمای دلخواه را با فشردن دکمه ▲ یا ▼ انتخاب کنید.

[▲ : افزایش، ▼ : کاهش]



③ دکمه "⬇️" را فشار دهید.



بین ۱۳- درجه سانتیگراد و ۲۱- درجه سانتیگراد با گامهای ۱ درجه سانتیگرادی قابل تنظیم است.

اگر غذای منجمد یا بستنی نگهداری نشده باشد.	-13°C
برای انجماد معمولی.	-18°C
برای تهیه سریع یخ یا انجماد سریع.	-21°C

بین ۰ درجه سانتیگراد و ۶ درجه سانتیگراد با گامهای ۱ درجه سانتیگرادی قابل تنظیم است.

اگر توان سرمایش یخچال بیشتر از حد لازم باشد.	6°C
برای بهره‌برداری معمولی.	3°C
برای حفظ تازگی مواد غذایی. اگر توان سرمایش یخچال کمتر از حد لازم باشد.	0°C

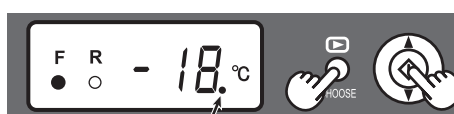
### بوق هشدار درب

اگر در یخچال یا فریزر باز بماند، هشدار باز ماندن در به صدا در می‌آید.

- هشدار باز ماندن در، ۱ دقیقه پس از باز کردن در و دوباره پس از ۱ دقیقه (یک بار در هر مورد) به صدا در می‌آید.
- اگر در به مدت تقریباً ۳ دقیقه باز بماند، این هشدار به صورت پیوسته پخش می‌شود.

### برای لغو کارکرد

در حالی که دکمه CHOOSE را فشرده نگه داشته‌اید، دکمه "⬇️" را به مدت ۳ ثانیه یا بیشتر فشرده نگه دارید.



توقف هشدار باز ماندن در را نشان می‌دهد.

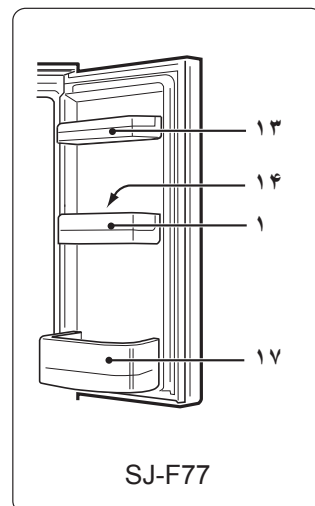
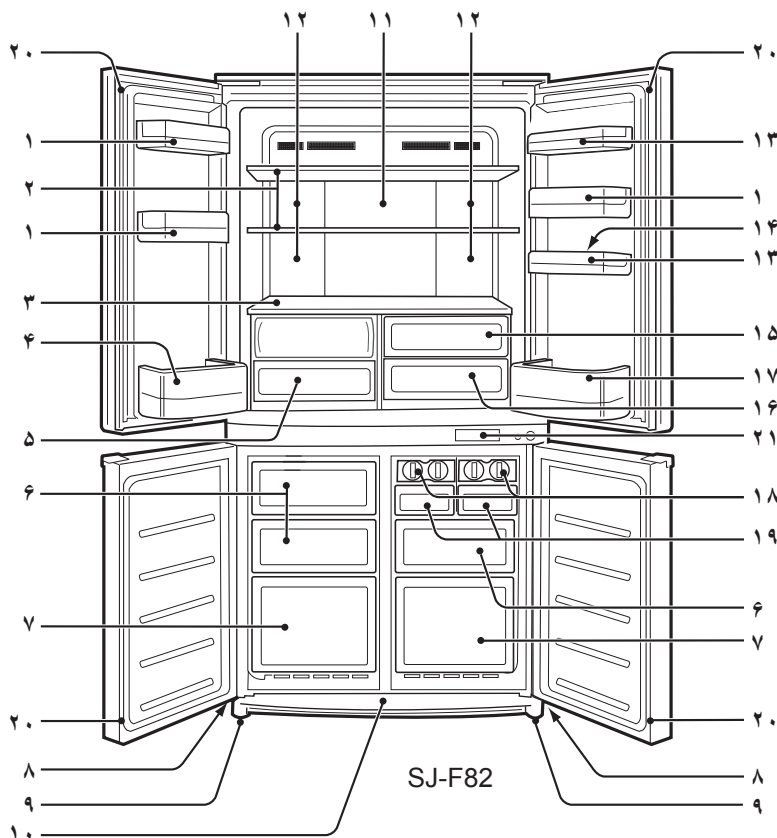
راهاندازی دوباره عملکرد روش مشابهی دارد.

### واحد بوزدا

واحدی توکار که به راهاندازی دستی نیاز ندارد زیرا پس از روشن شدن یخچال به طور خودکار به کار می‌افتد.

### برفک زدایی

- سامانه یخزدایی دارای فرآیند یخزدایی خودکار و کاملاً کم مصرف است.
- آب ناشی از یخزدایی در سینی تبخیر جمع می‌شود و در آنجا بر اثر حرارت کمپرسور و... بخار می‌شود.
- سینی تبخیر نیازی به نظافت یا نگهداری ندارد.



۱. محفظه های درب (۳ قطعه)
۲. قفسه های یخچال
۳. قفسه
۴. محفظه بطری (چپ)
۵. قسمت تازه نگهدارنده سبزیجات
۶. محفظه فریزر (کوچک) (۳ قطعه)
۷. محفظه فریزر (بزرگ) (۲ قطعه)
۸. چرخ ها (۴ قطعه)
۹. پایه های قابل تنظیم (۲ قطعه)
۱۰. درپوش پایه
۱۱. صفحه آلومینیومی

این صفحه از پشت سرد می شود، و بدین ترتیب قسمت یخچال را بطور غیرمستقیم خنک می نماید. بدین ترتیب، مواد غذایی به شکلی ملایم و بدون قرار گرفتن در معرض جریان هوای سرد، خنک می شوند.

۱۲. چراغ

۱۳. محفظه های کمکی

(SJ-F77 ; ۱ جیب، SJ-F82 ; ۲ جیب)

۱۴. نگهدارنده تخم مرغ

۱۵. محفظه میوه

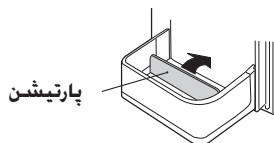
۱۶. محفظه تازه نگهدارنده

۱۷. محفظه بطری (راست)

برای نگهداری بطری های بزرگ، پارتیشن را تا انتها عقب ببرید.

۱۸. یخ ساز قالبی (۲ قطعه)

- سینی را بیش از حد پر نکنید؛ در غیر اینصورت قالب های یخ هنگام انجماد به یکدیگر خواهند چسبید.
- هنگامی که قالب های یخ ساخته شدند، اهرم را در جهت عقربه ساعت بچرخانید تا یخ به داخل جعبه ذخیره سازی یخ تخلیه شود.



جعبه ذخیره سازی یخ

۱۹. جعبه ذخیره سازی یخ (۲ قطعه)

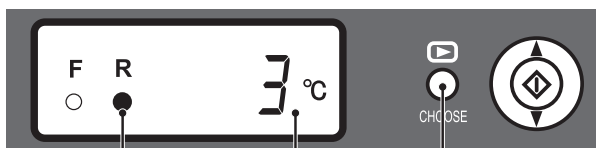
برای اجتناب از وارد آمدن آسیب به جعبه ذخیره سازی یخ، از ساختن یخ در داخل جعبه ذخیره سازی یخ یا ریختن روغن به داخل آن خودداری کنید.

۲۰. نوارهای درزگیر مغناطیسی درب (۴ قطعه)

۲۱. صفحه کنترل

- دمای از پیش تنظیم شده نمایش داده میشود.
- (این دمای واقعی در محفظه نیست.)
- محتوای نمایشگر محفظه یخچال و محفظه فریزر را میتوان با فشردن دکمه CHOOSE (انتخاب) تغییر داد.

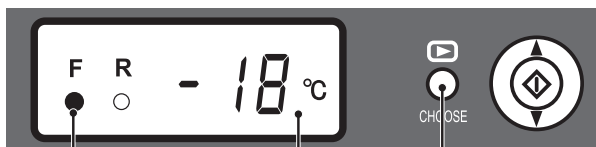
دمای از پیش تنظیم شده محفظه یخچال



دکمه CHOOSE    نمایشگر LED    چراغ R (روشنایی)

نشان دهنده "یخچال" Refrigerator است

دمای از پیش تنظیم شده محفظه فریزر



دکمه CHOOSE    نمایشگر LED    چراغ F (روشنایی)

نشان دهنده "فریزر" Freezer است

تذکر

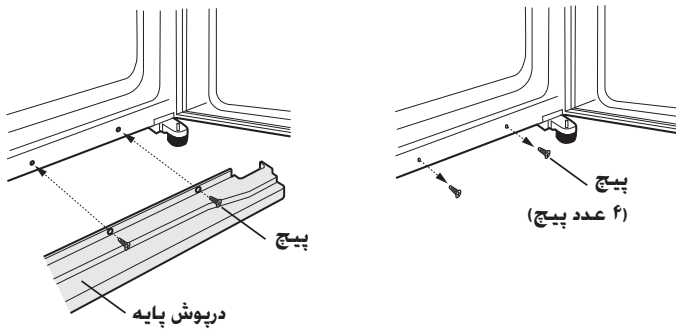
اگر مدت بیکاری از ۱ دقیقه فراتر رود، چراغ LED و نمایشگر دما خاموش میشود.

(با فشردن یکی از دکمهها، چراغ دوباره روشن میشود.)

## هشدار

■ یخچال را در مکان مرطوب یا خیس نصب نکنید زیرا این کار می تواند باعث وارد آمدن آسیب به عایق کاری و بروز نشستی گردد. همچنین ممکن است چگالش رطوبت (تقطیر) روی کابین خارجی تشکیل شده باعث زنگ زدگی گردد.

۴ پیچ قسمت پایینی کابین را برداشته و سپس درپوش پایه (که داخل محفظه یخچال قرار دارد) را با ۴ پیچ برداشته شده تنظیم کنید.



## تذکر

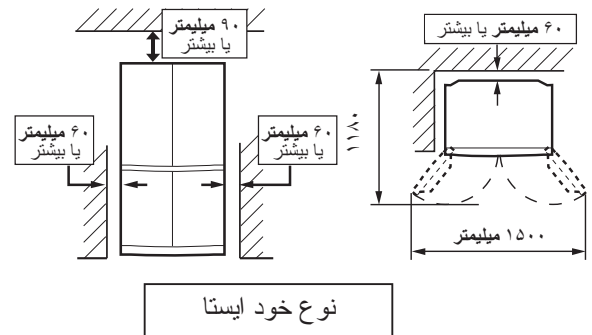
- یخچال خود را طوری قرار دهید که دوشاخه قابل دسترس باشد.
- یخچال را از نور مستقیم خورشید دور نگاه دارید.
- یخچال را کنار لوازم تولیدکننده حرارت قرار ندهید.
- مستقیماً روی زمین نگذارید. پایه مناسب تهیه کنید.
- هنگام داخل کردن دوشاخه برق هنگامی که درب باز است، هشدار درب به صدا درمی آید ولی این مسئله غیرعادی نیست. این صدا با بسته شدن درب متوقف میشود.

## قبل از استفاده از یخچال

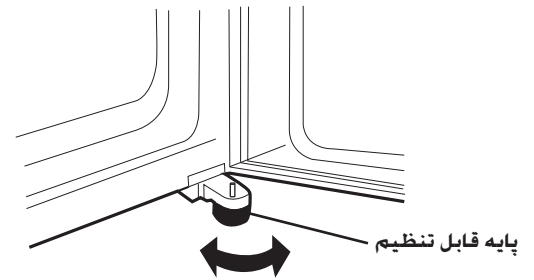
بخشهای داخلی را با یک پارچه خیس شده در آب گرم، تمیز کنید. در صورت استفاده از آب صابون، آن را کاملاً با آب تمیز کنید.

۱ فضای تهویه کافی در اطراف یخچال در نظر بگیرید.

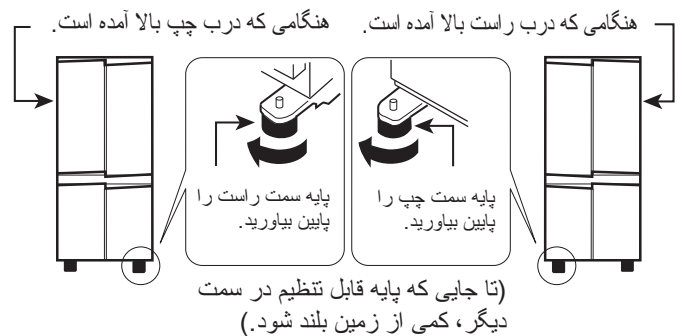
- شکل زیر، حداقل فضای مورد نیاز برای نصب یخچال را نشان می دهد. شرایط اندازه گیری مصرف برق، در ابعاد فضای متفاوتی انجام میگیرد.
- با در نظر گرفتن فضای بیشتر، امکان استفاده از یخچال با مصرف برق کمتر وجود دارد.
- اگر از یخچال در فضایی با ابعاد کوچکتر از شکل زیر استفاده شود، این امر می تواند باعث بالا رفتن دمای دستگاه، ایجاد سروصدای زیاد، و خرابی گردد.



۲ از دو پایه قابل تنظیم جلویی استفاده کرده و مطمئن شوید که یخچال بطور ثابت و هموار روی زمین قرار گرفته است.



۳ چنانچه درب های راست و چپ به خوبی میزبان نیستند، با استفاده از پایه های قابل تنظیم آنها را تنظیم نمایید.



بابت خرید این محصول شارپ از شما بسیار سپاسگزاریم. قبل از استفاده از یخچال شارپ خود، لطفاً این دفترچه راهنما را مطالعه فرمایید تا مطمئن شوید که از آن حداکثر استفاده را می‌برید. این یخچال فقط برای استفاده خانگی، با دمای محیط بین +۵ درجه سانتیگراد و +۲۳ درجه سانتیگراد میباشد. یخچال نباید برای مدتی طولانی در معرض دمای ۱۰- درجه سانتیگراد یا کمتر قرار گیرد.

## هشدار

- از نگهداری مواد بسیار فرّار و اشتعال پذیر مانند اتر، بنزین، گاز پروپان، قوطی های اسپری، چسب ها و الکل خالص و غیره خودداری کنید. احتمال انفجار این مواد وجود دارد.
- گردوغباری که روی دوشاخه برق می نشیند می تواند باعث بروز آتش سوزی گردد. آن را به دقت تمیز کنید.
- سعی نکنید در این یخچال اصلاح یا تغییری اعمال کنید. این کار می تواند باعث آتش سوزی، برق گرفتگی یا بروز جراحت گردد.
- مطمئن شوید هنگامی که یخچال بدون استفاده در محلی نگهداری می شود، خطری برای کودکان بوجود نمی آورد. (مثلاً برای جلوگیری از گیر افتادن کودک در داخل یخچال، نوارهای درزگیر مغناطیسی را جدا کنید.)
- این یخچال باید با روش مناسب دور انداخته شود. یخچال را جهت گازهای کف کننده عایق کاری اشتعال پذیر، به یک تأسیسات بازیافت ببرید.

## احتیاط

- از لمس کردن واحد کمپرسور یا قطعات جانبی آن خودداری کنید، زیرا این قطعات هنگام کارکرد بسیار داغ شده و لبه های فلزی می توانند باعث بروز جراحت گردند.
- مواد غذایی یا ظروف فلزی داخل قسمت فریزر را با دستان خیس لمس نکنید. این کار می تواند باعث سرمازدگی پوست گردد.
- از سیم الحاقی یا دوشاخه تبدیل استفاده نکنید.
- نوشیدنی های داخل بطری و قوطی در بسته را داخل فریزر قرار ندهید، زیرا احتمال ترک خوردن آنها در هنگام انجماد وجود دارد.
- مطمئن شوید که سیم برق در حین نصب یا جابجایی دستگاه، صدمه ندیده است. اگر دوشاخه یا سیم برق شل است، دوشاخه را داخل پریز برق نکنید. خطر برق گرفتگی یا آتش سوزی وجود دارد.
- با خارج کردن دوشاخه برق از پریز، دستگاه را از منبع تغذیه برق قطع کنید. برای بیرون آوردن دوشاخه، سیم برق را نکشید. این کار می تواند باعث برق گرفتگی یا آتش سوزی گردد.
- سیستم تبرید پشت و داخل یخچال حاوی ماده مبرد است. اجازه ندهید اشیای تیز با سیستم تبرید تماس پیدا کنند.
- در صورت صدمه دیدن سیم تغذیه انعطاف پذیر، باید آن را توسط نمایندگی سرویس مورد تأیید شارپ تعویض نمود زیرا یک سیم ویژه مورد نیاز است.
- در صورت نشستی گاز، محل مربوطه را با بازکردن پنجره و غیره، تهویه نمایید. به یخچال یا پریز برق دست نزنید.
- اشیای حاوی مایعات یا اشیای ناپایدار را بالای یخچال قرار ندهید.
- این یخچال جهت استفاده توسط افراد (از جمله کودکان) دارای قابلیت های محدود جسمانی، حسی یا ذهنی، یا افراد فاقد دانش و تجربه در نظر گرفته نشده است، مگر اینکه فردی که مسئولیت ایمنی آنان را به عهده دارد، نظارت یا آموزش لازم در رابطه با استفاده از یخچال را به آنها ارائه نماید. کودکان خردسال بایستی تحت نظارت قرار گیرند تا اطمینان حاصل شود که با یخچال بازی نمی کنند.

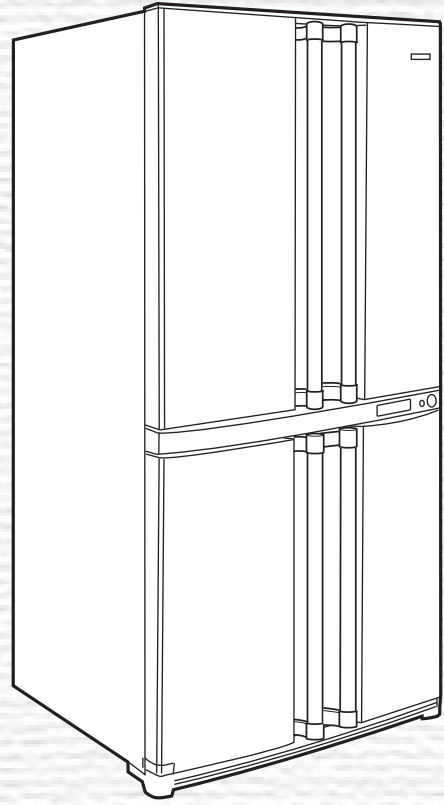


## يخچال برقی دفترچه راهنما فهرست مطالب

- ۳ ..... هشدار
- ۳ ..... احتیاط
- ۴ ..... نصب
- ۵ ..... شرح
- ۶ ..... بکارگیری دستگاه
- ۷ ..... نگهداری مواد غذایی
- ۸ ..... مراقبت و تمیزکاری
- ۹ ..... قبل از درخواست تعمیر

## ثلاجة كهربائية دليل التشغيل المحتويات

- ۱۰ ..... تحذير
- ۱۰ ..... تنبيه
- ۱۱ ..... التركيب
- ۱۲ ..... الوصف
- ۱۳ ..... التشغيل
- ۱۴ ..... تخزين الطعام
- ۱۵ ..... العناية والتنظيف
- ۱۶ ..... قبل استدعاء فني الصيانة



SJ-F77

SJ-F82

# SHARP

شرکت شارپ  
مؤسسة شارپ

طبع في تايلند

TINS-B462CBRZ 13HF TH ①